

| B75 TB

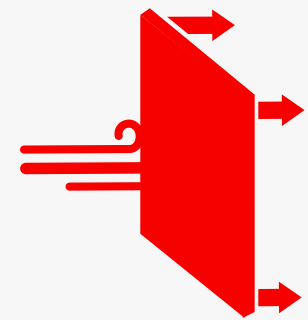


B75 TB

A noble and timeless metal for a system featuring maximum performance. Its warm tones and handcrafted finishes make it unique. The design the new B75 TB can be either flush or overlapping and can accommodate high performance glazing, while the glass fibre reinforced polyamide insulation provides excellent thermal insulation. The B75 TB system thus satisfies the most demanding projects, in residential, institutional and commercial projects.



EN 12207



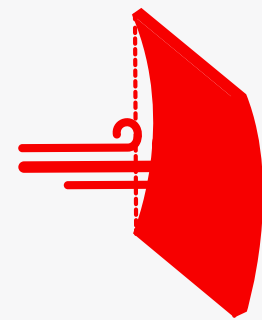
Air permeability
4 Class - 600 Pa

EN 12208



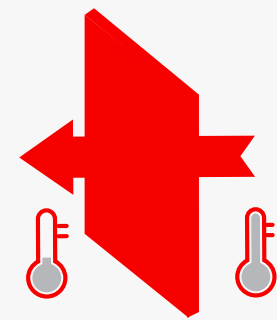
Water Tightness
8A Class - 450 Pa

EN 12210



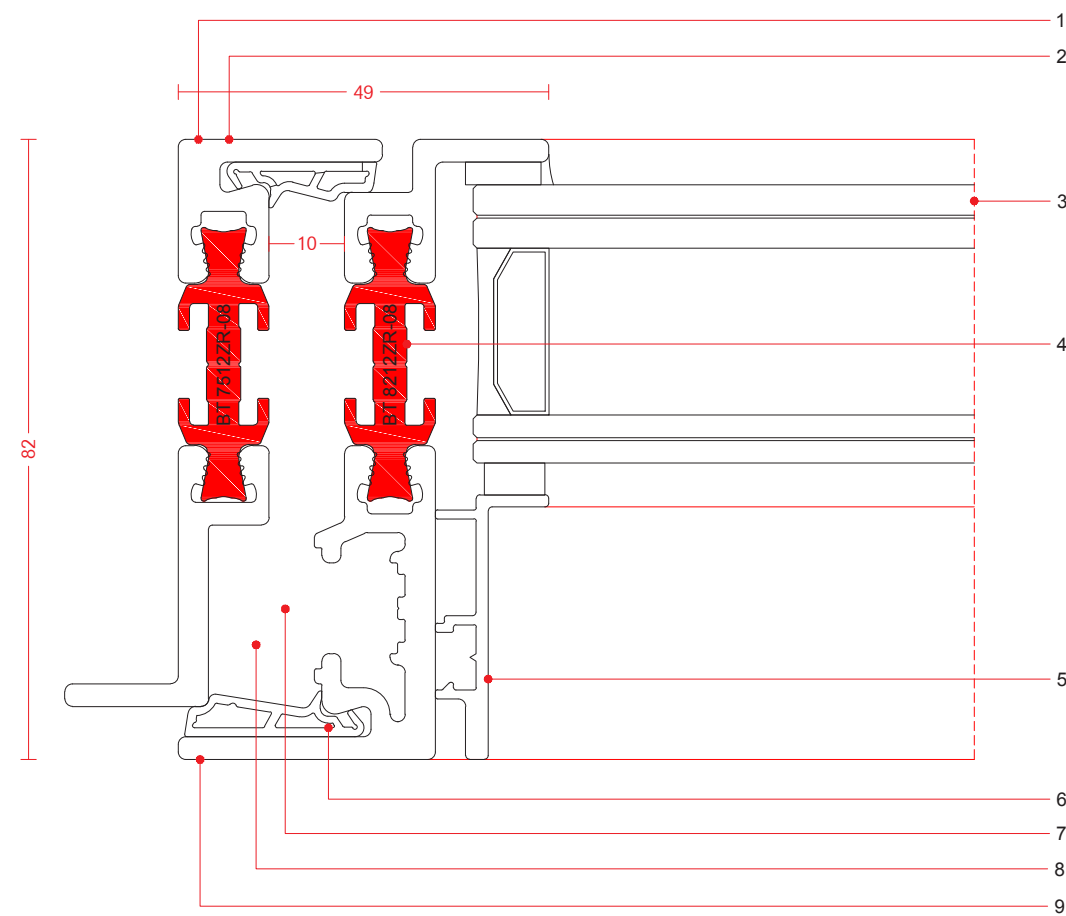
Resistance to wind load
C3 Class- 1200 Pa

EN ISO 10077-1



Heat transfer coefficient*
 $U_w = 1.00 \text{ W/m}^2\text{K}$

*calculated on sample standardized window frame dim. 1230x1480 mm according to the EN 14351-1



drawing scale 1:1

FEATURES

- | | | |
|---|--|--|
| <ul style="list-style-type: none"> 1. solid architectural bronze extruded profiles 2. can be both internally and externally flush or overlapping, or externally flush and internally overlapping 3. profile depth compatible with insulating glass up to 54 mm | <ul style="list-style-type: none"> 4. fiberglass-reinforced polyamide insulator 5. wide choice of glazing beads, rectangular, triangular and double "L" shape 6. EPDM co-extruded sealing gaskets 7. wide choice of specific fittings, | <ul style="list-style-type: none"> including both visible and concealed hinges 8. side-hung, top-hung and bottom-hung windows, tilt and turn, pivoting windows, sliding and folding doors 9. natural finish, or burnished in different shades |
|---|--|--|





BAU MUENCHEN 2023
BLS75 TB BURNISHED BRONZE
LIFTING & SLIDING

OTTOSTUMM | **mogs**

DISTINCTIVE METALS

Architectural Bronze

A noble, ancient and prestigious metal, bronze has always been a favourite material for architects because of its aesthetic characteristics and uniqueness. Architectural bronze is a living, changing material, subject to natural oxidation or weathering that gives it warm tones and variegated nuances, ranging from golden yellow to copper red, from different shades of classic browns to dark browns with the characteristic emergence of copper green. The natural oxidation process can be accelerated and calibrated by patinating the frame to obtain the chromatic effect most in harmony with the style of the façade and interior, or completely avoided by proceeding directly to a transparent opaque coat, which allows the original golden shine of the material to be maintained. The corners of windows and doors made of Architectural Bronze profiles, once welded, are ground flat to achieve a homogeneous appearance. Ottostumm | Mogs Architectural Bronze, available both standard and thermal break, is a copper alloy specially designed for extrusion in high precision production lines. With a compact surface, suitable for bending, satin or polishable, it represents the natural evolution of an ancient material reinterpreted for contemporary architecture.

OTTOSTUMM | **mogs**

OTTOSTUMM SA

Via Baragge, 2
6855 Stabio - Switzerland
T +41 (0)91 6417700 | info@ottostumm.com

ottostumm-mogs.com

OFFICIAL PARTNER OF OTTOSTUMM | **mogs**

METALFORM

MASTERS OF METAL

UNITED KINGDOM

METALFORM

NORWAYMETAL LTD

53 Chelsea Manor Street

London, SW3 5RZ

SALES@METALFORM.UK

+44 20 81298814

GERMANY

METALFORM GMBH

Carl-Zeiss-Ring 15A

85737 Ismaning

SALES@METALFORMGROUP.DE

+49 17663630406

NORWAY

METALFORM AS

Brochmannsveien 2

1950 Rømskog

SALG@METALFORM.NO

+47 401 62 446

METALFORMGROUP

SALES@METALFORMGROUP.COM