

# METALFORM

# METALFORM

In partnership with

rp  
technik  
profile systems



RP-ISO-hermetic 45N/60N  
RP-tec 55 / 55 plus  
(FERRO-WICTEC 55 € / 55 € plus)

Curtain wall systems

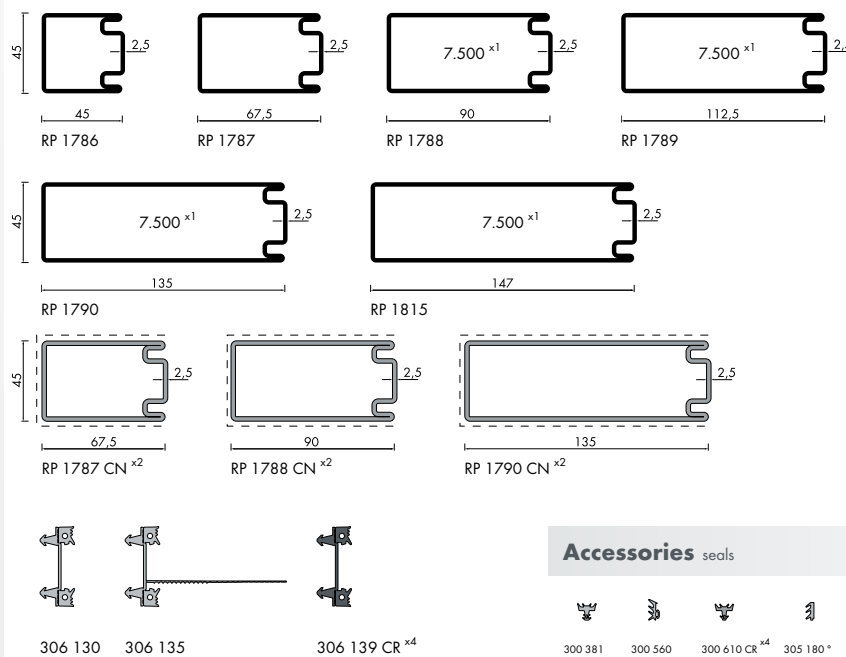
Multifunctional systems:  
Narrow sight lines and high  
bearing capacity



## RP-ISO-hermetic 45N

Profile overview

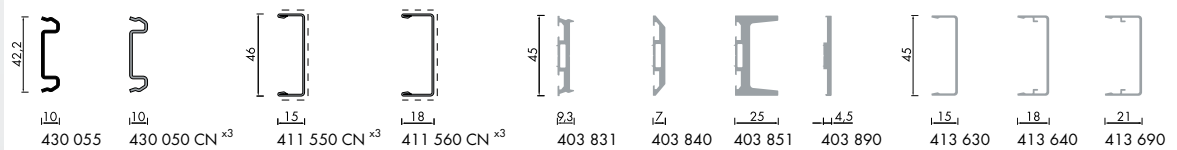
### RP-ISO-hermetic 45N



x1 = We also have these profiles in stock in a length of 7.5 m.  
 x2 = Steel GALFAN  
 x3 = Stainless steel 316 (1.4401)  
 x4 = chloroprene  
 - - - surface/outer surface, finished grain 220/240

- 1 Dortmund Concert Hall, Germany
- 2 TGP Seattle office, USA
- 3 PVG Presse-Vertriebs Gesellschaft KG, Frankfurt, Germany
- 4 Vapiano Dortmund, Germany

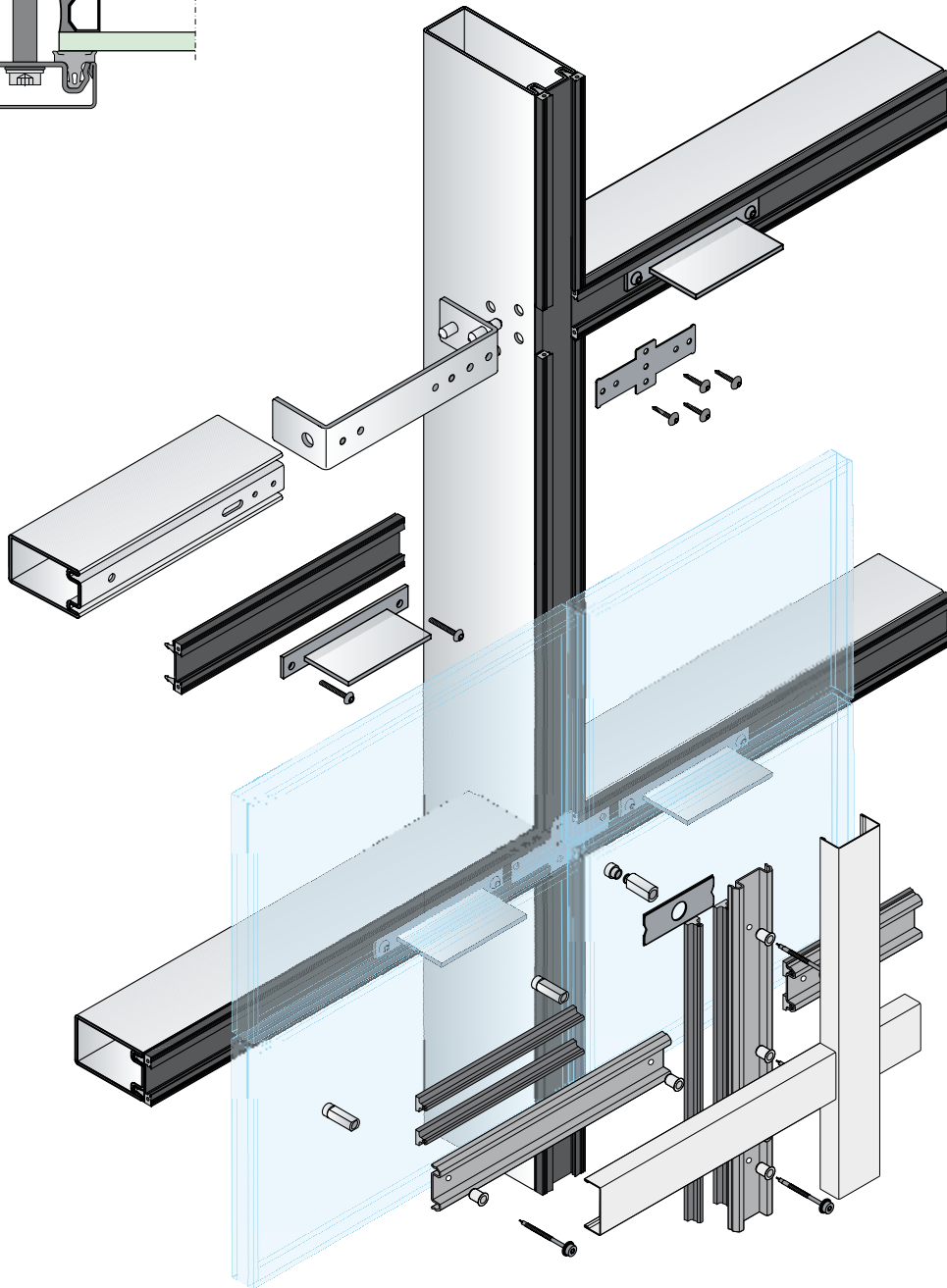
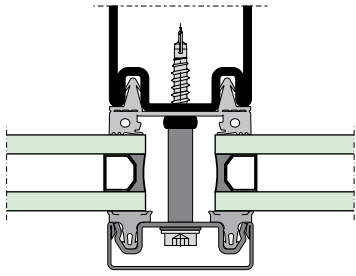
### Aluminium



1



2



**MODERN, STYLISH  
AND PARTICULARLY  
EFFICIENT**

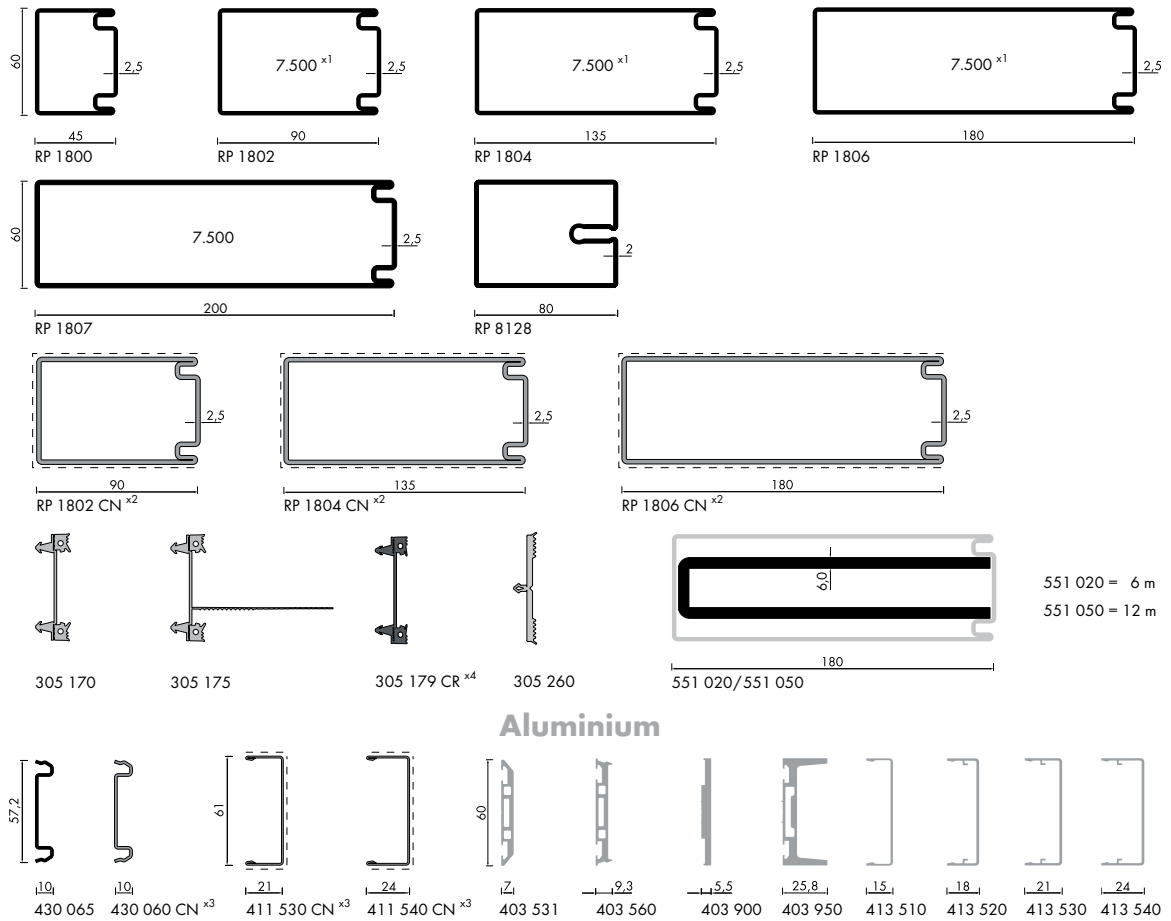
The RP-ISO-hermetic 45N curtain wall system, with the narrow sight line of the mullion and transom profile, is captivating. This meets the desire of architects and planners striving to design and install curtain walls made of composite glazing with an appearance that is as continuous as possible. By using the largest possible span widths, the static properties of this advantageous steel system bring in a maximum amount of light. Thanks to the innovative screw/plug technology, the system can be completely pre-assembled in the workshop. Installation requirements on the building site are thereby significantly reduced. RP-ISO-hermetic 45N also meets the highest standards in terms of system safety, heat insulation and fire protection. The strip galvanising on both sides of the profile also provides sufficient corrosion protection.



## RP-ISO-hermetic 60N

Profile overview

### RP-ISO-hermetic 60N

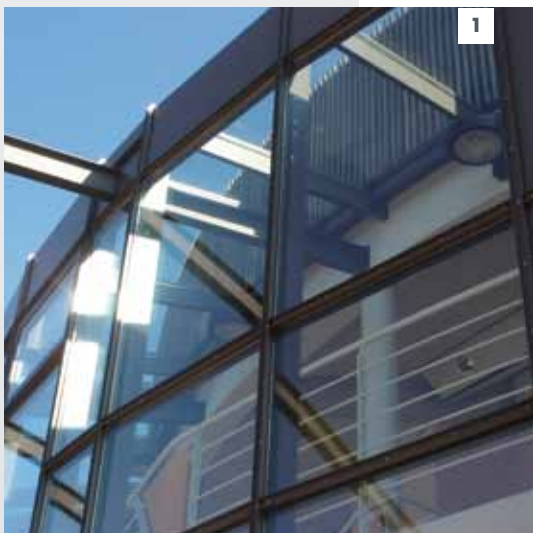


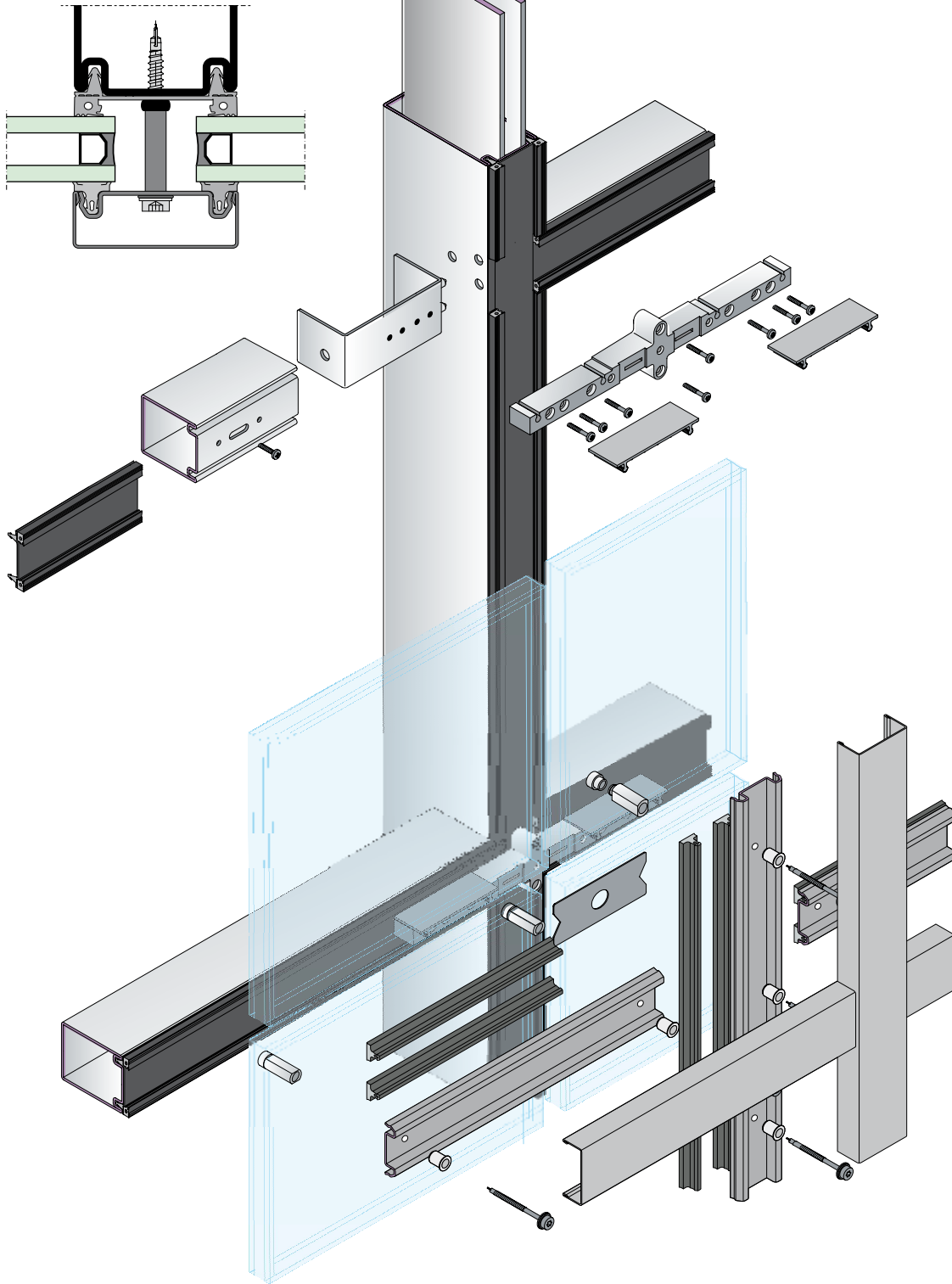
- 1 Leisure and Communication Centre, Germany
- 2 New Yorker, Braunschweig, Germany
- 3 BMW Iserlohn, Germany
- 4 Centre of Performing Arts, Dallas, USA
- 5 IHK, Paderborn, Germany
- 6 Rösraht Cultural Centre, Germany

### Accessories seals



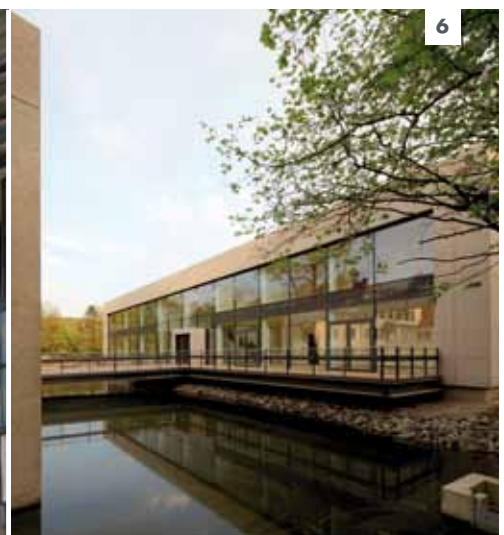
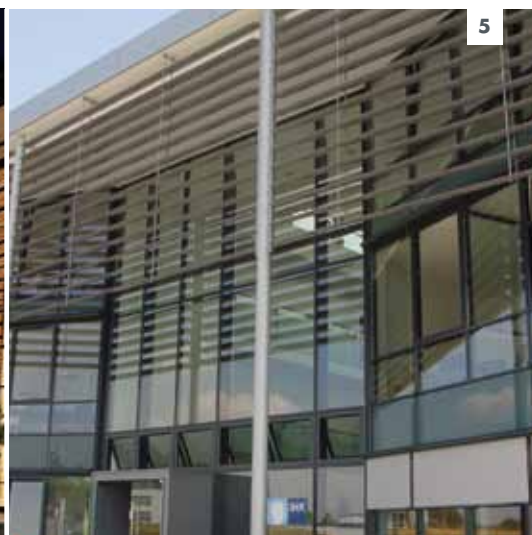
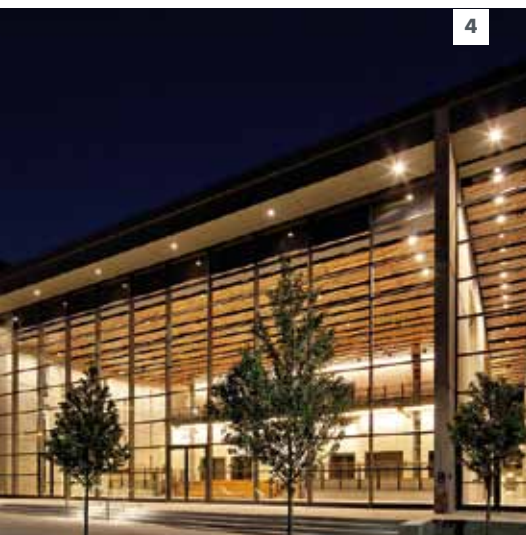
x1 = No. 403 have these profiles in stock in a length of 7,5 m.  
 x2 = Size (GAUFEN)  
 x3 = Stainless steel 316 (1,4001)  
 x4 = chloroprene  
 --- surface/outer surface, finished grain 220240





**LARGEST POSSIBLE SPAN WIDTHS**

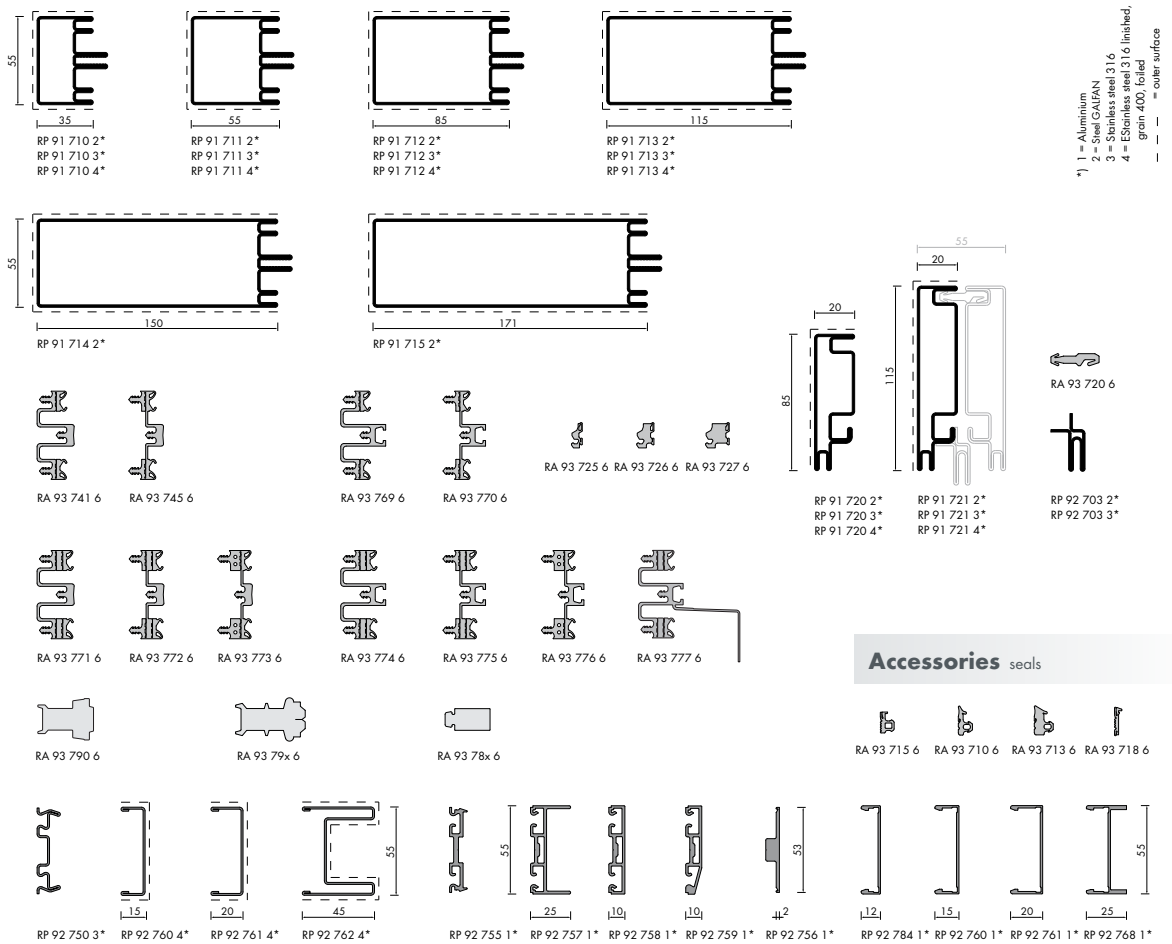
Among curtain wall systems, the RP-ISO-hermetic 60N system is the best choice. In addition to the attributes described for the RP-ISO-hermetic 45N system, another key aspect of the RP-ISO-hermetic 60N system is its compliance with the highest statistical standards. The even larger profile measurements allow for extraordinary mullion and transom span widths. With the option to further significantly strengthen the profiles with system-compliant static inserts, seemingly impossible slender geometries are also possible. Excessive weights of glass are also supported by the system's overall concept.



## RP-tec 55 / 55 plus (FERRO-WICTEC 55 E / 55 E plus)

Profile overview

### RP-tec 55 / 55 plus (FERRO-WICTEC 55 E / 55 E plus)



1

Ludwig Maximilian University of Munich, Neuried Primary School, Germany

2

Erding High School, Germany

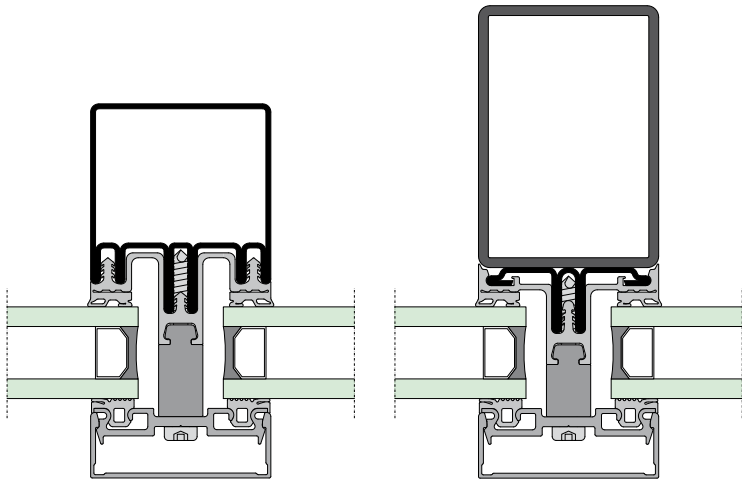
3

University of Koblenz-Landau, Germany

4

Hanover Industrial Fair, Germany





**NARROW,  
INSULATED AND A  
UNIFIED CONCEPT**

**System**

- Mullion and transom curtain wall
- Sight line 55 mm
- High level of heat insulation up to  $U_f \geq 0,8 \text{ W}/(\text{m}^2\text{K})$

**Architecture**

- Vertical curtain walls and
- polygonal curtain walls - up to max. 30 ° internal and external corners, depending on infill thickness and sight line
- Sloped glazing
  - as standard, up to 5° inclination against the horizontal
  - for specific cases, smaller inclinations are to be clarified
- Room structures
- Conservatories
- Fire protection curtain walls EI30 and E/EW30 with identical basis setup
- Identical basic concept for all RP Technik curtain walls which can be combined with all RP Technik curtain wall variations



3



4



# METALFORM

1



2



3



4



1

*Gustav Heinemann School,  
Hofgeismar, Germany*

2

*Hessencampus Lifelong  
Learning Centre, Hofgeismar,  
Germany*

3

*Vapiano Restaurant, Dort-  
mund, Germany*

4

*Office building, South Korea*

5

*Rösrath Cultural Centre,  
Germany*

6

*RP Technik GmbH Profilsyste-  
me, Bönen, Germany*

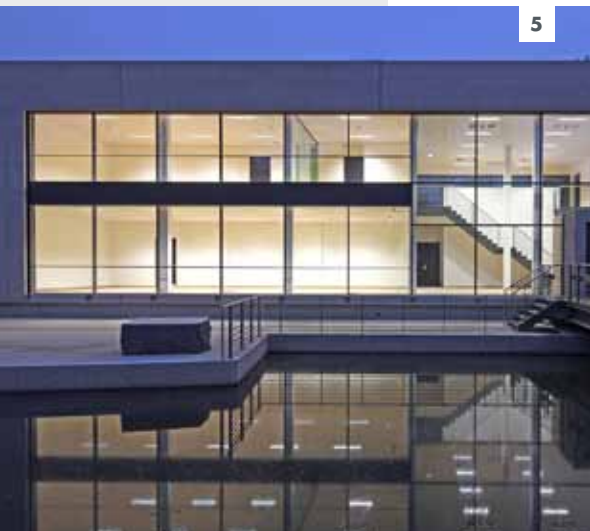
7

*Hanover Messe, Germany*

8

*Centre of Performing Arts,  
Dallas, USA*

5



6



7





## A LONGSTANDING, THRIVING PARTNERSHIP

The assiduous partnership cultivated day in, day out between ourselves and clients is the foundation for stable, long-lasting cooperation. As a developer of steel profile systems, RP Technik is a proven partner with all the right skills and tools at its disposal. Specialised in this domain, RP Technik's architects and planners offer customers the dedication and expertise of a company of worldwide renown. Proficiency in the area, coupled with a broad range of knowledge and expertise in the development of profile systems while focusing on personal safety and building protection is what confers that decisive advantage on RP Technik's partners when forging their way on the international markets.



Profile systems		Curtain wall	Add-on façade system	Doors	Partition walls	Windows	Sliding elements	Evidence
	RP-ISO-hermetic 45N	●						
	RP-ISO-hermetic 60N	●						
	RP-tec 55 (FERRO-WICTEC 55 E)	●						
	RP MULTITOP 50/60 Outlet	●						
	RP-tec 50-1 (FERRO-WICTEC 50-1 E)	●						
	RP-tec 55-1 (FERRO-WICTEC 55-1 E)	●						
	RP-tec 50-1 HA (FWT 50-1 HA E)	●						
	RP-tec 55-1 HA (FWT 55-1 HA E)	●						
	RP-tec 50-1 HA plus (FWT 50-1 HA E plus)	●						
	RP-tec 55-1 HA plus (FWT 55-1 HA E plus)	●						
	RP-tec 60-1 (FERRO-WICTEC 60-1 E)	●						
	RP-tec 60-1 HA (FWT 60-1 HA E)	●						
	RP-tec 80-1 (FERRO-WICTEC 80-1 E)	●						
	RP-tec 80-1 HA (FWT 80-1 HA E)	●						
	RP-ISO-hermetic 70 (FERRO-WICSTYLE 70)		●	●				
	RP-ISO-hermetic 70 (FERRO-WICLINE 70)				●			
	RP-ISO-hermetic 70 plus (FERRO-WICSTYLE 70 plus)			●	●			
	RP-ISO-hermetic 70 plus (FERRO-WICLINE 70 plus)					●		
	RP-hermetic FINELINE			●	●		●	
	RP-hermetic 40			●	●			
	RP-Design 50			●	●			
	RP-hermetic 50			●	●			
	RP-hermetic 55N			●	●			
	(FERRO-WICSTYLE 55N / (FERRO-WICLINE 55N)					●		
	RP-hermetic 55N FP (FERRO-WICSTYLE 55N FP)			●	●			
	RP-hermetic 75			●	●			
	RP-hermetic 75 FB			●	●			
	RP-ISO-hermetic EI30			●	●			
	RP-ISO-hermetic EI60			●	●			
	RP-ISO-hermetic EI90			●	●			
	RP-ISO-hermetic EI120				●			
	RP-ISO-hermetic 70 FP (FERRO-WICSTYLE 70 FP)			●	●			

# METALFORM

All national legislation, directives and state building regulations must be observed during operation pursuant to available certificates of inspection and their recognition.



# METALFORM

MASTERS OF METAL

**UNITED KINGDOM**

**METALFORM**

**NORWAYMETAL LTD**

53 Chelsea Manor Street

London, SW3 5RZ

**SALES@METALFORM.UK**

**+44 20 81298814**

**GERMANY**

**METALFORM GMBH**

Carl-Zeiss-Ring 15A

85737 Ismaning

**SALES@METALFORMGROUP.DE**

**+49 17663630406**

**NORWAY**

**METALFORM AS**

Brochmannsveien 2

1950 Rømskog

**SALG@METALFORM.NO**

**+47 401 62 446**

**METALFORMGROUP**

**SALES@METALFORMGROUP.COM**