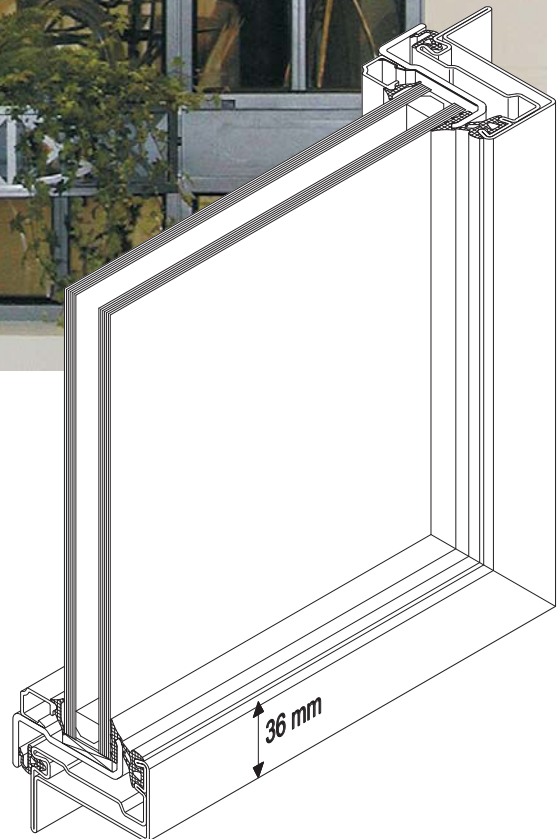




rp fineline 60W

Window system
RP-hermetic FINELINE



RP-hermetic FINELINE
window system
planing and processing manual

May contain modifications and errors.

Window system RP-hermetic FINELINE

General information

RP Technik GmbH Profilsysteme supplies systems for the metal construction industry.

RP Systems are designed to be handled by specialist firms familiar with the generally accepted guidelines and rules of metal construction technology and glazing and who can be expected to be familiar with the applicable standards, specifications, and industry best practice.

For coatings, including pre-treatment, the procedures recommended by the coating industry must be observed. Details regarding possible applications and conditions should be discussed with the coating plant in question before awarding the coating contract. Generally we commend the application of ISO EN 1294 part 1-8.

All technical data, advice and recommendations are voluntary services and intended to provide without obligation proposals to planners and fabricators. The user must, however, examine and decide for themselves whether the proposed products fully meet all requirements for his intended application in each individual case.

RP products are sold under registered trademark. They also form component parts of tested and approved assemblies. In the case of loss or damage resulting from the use of other products not only does the company deny all liability, but also all testing certificates applicable to the construction lose their validity.

With systems from stainless steel please observe that not all accessory parts are made from stainless steel.

Special solutions must be carried out with great care since these are not covered by system tests. Equally, workshop made components must be controlled for completeness and function before installation.

Every care has been taken to ensure that the data, explanations and illustrations in the document is accurate and whilst the publishers would be grateful to learn of any error, they regret they can accept no responsibility. Nevertheless mistakes cannot be entirely excluded. For the use of the suggestions, drawings and data we cannot take any responsibility or liability. Please note also our sales and delivery terms.

Because of the constraints printing technology and/or graphics illustrations may not always correspond to the stated scales and norm sizes.

RP Technik GmbH Profilsysteme reserves the right to undertake technical modifications without prior notice.

The publication of new documentation renders invalid all previous versions.

Edition 03/11

Window system RP-hermetic FINELINE

Content

1. Window system RP-hermetic FINELINE

- 1.1 General precondition
- 1.2 Content

2. System drawings

- 2.1 Horizontal section
- 2.2 Vertical section
- 2.3 Leaf sash bar, leaf frame
- 2.4 Sash
- 2.5 Fixed glazing
- 2.6 Frame sash bar

3. Profile scale 1:1

- 3.1 Frame and sash bar profile
- 3.2 Leaf profile
- 3.3 Glazing beads

4. Glazing table

5. Articles overview

- 5.1 Profiles
- 5.2 Accessories
- 5.3 Accessories
- 5.4 Accessories

6. Processing

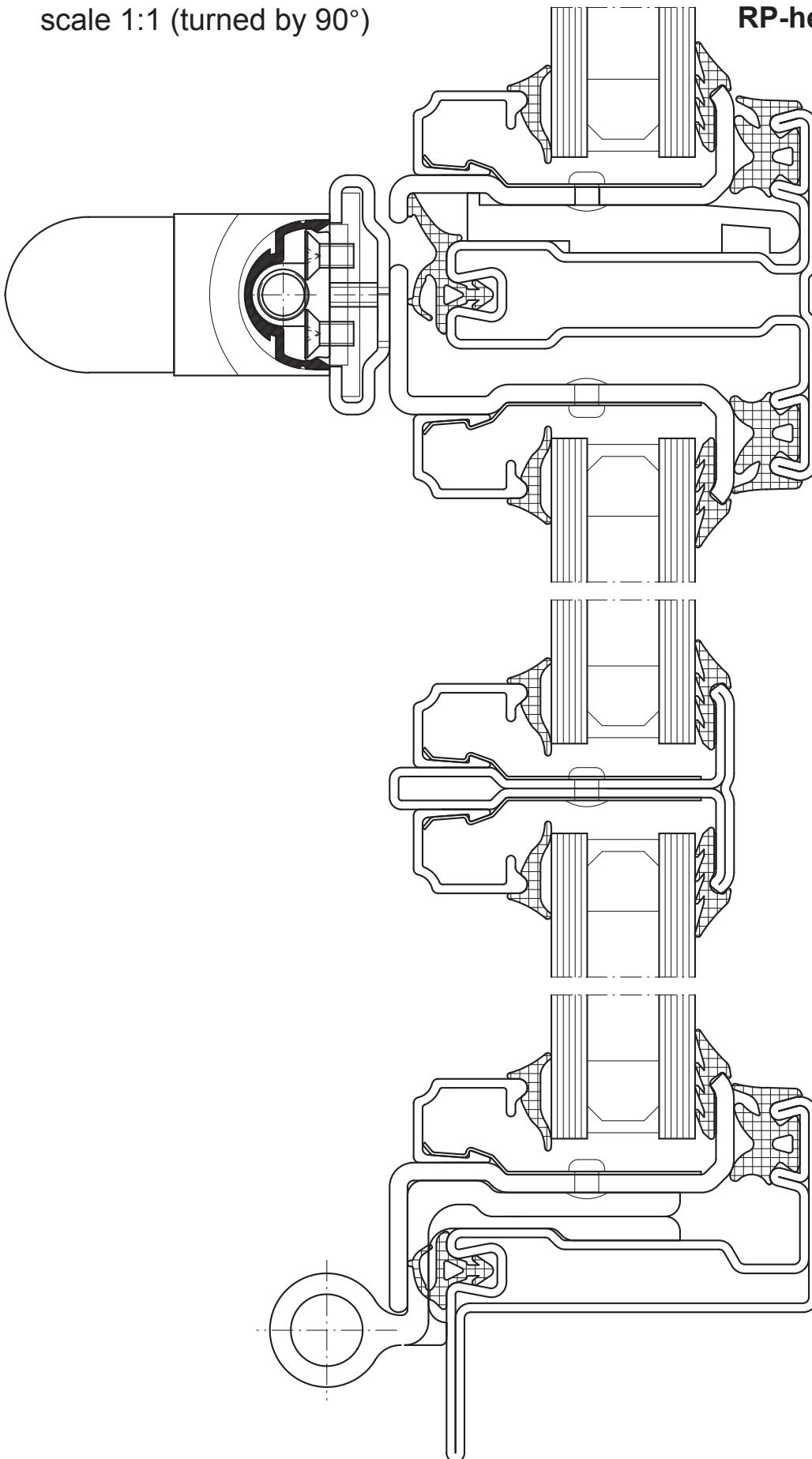
- 6.1 Drainage cap
- 6.2 Glazing rebate drainage
- 6.3 Glazing bead fixation
- 6.4 Sash bar release
- 6.5 Cutting sash
- 6.6 Sash squaring bolt
- 6.7 Seal mounting

7. Turn-fitting

- 7.1 Espagnolette lock 915 102
 - 7.1.1 Cutting
 - 7.1.2 Installation instruction
- 7.2 Screw-on hinge 196 110
 - 7.2.1 Installation instruction
 - 7.2.2 Aperture radius
 - 7.2.3 Drill jig
- 7.4 Espagnolette classic 915 140
- 7.5 Espagnolette nostalgia 193 360

Horizontal sections
scale 1:1 (turned by 90°)

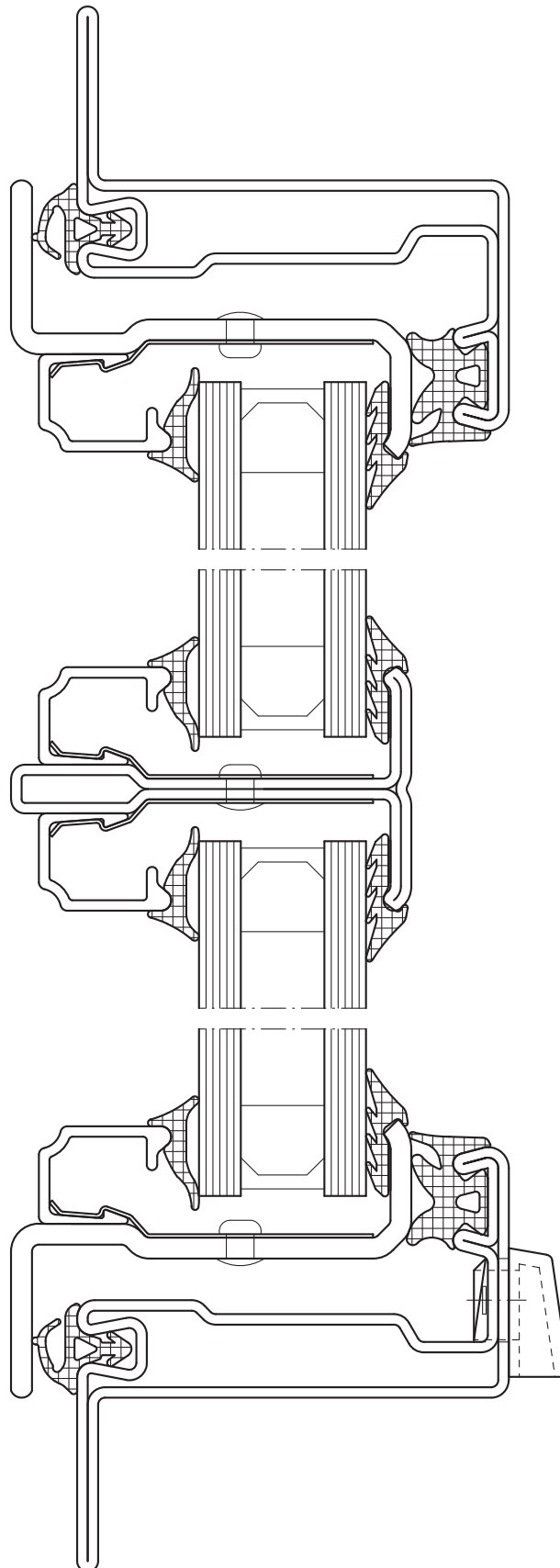
Window system
RP-hermetic FINELINE



May contain modifications and errors.

Vertical section
scale 1:1

Window system
RP-hermetic FINELINE

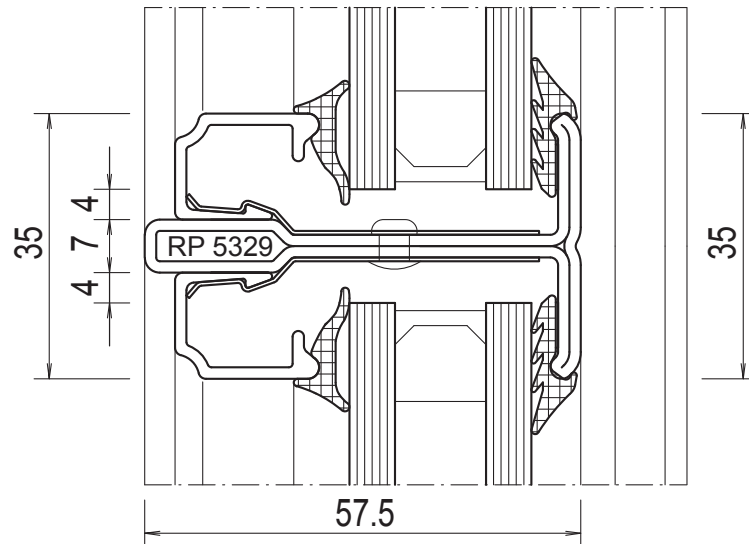


May contain modifications and errors.

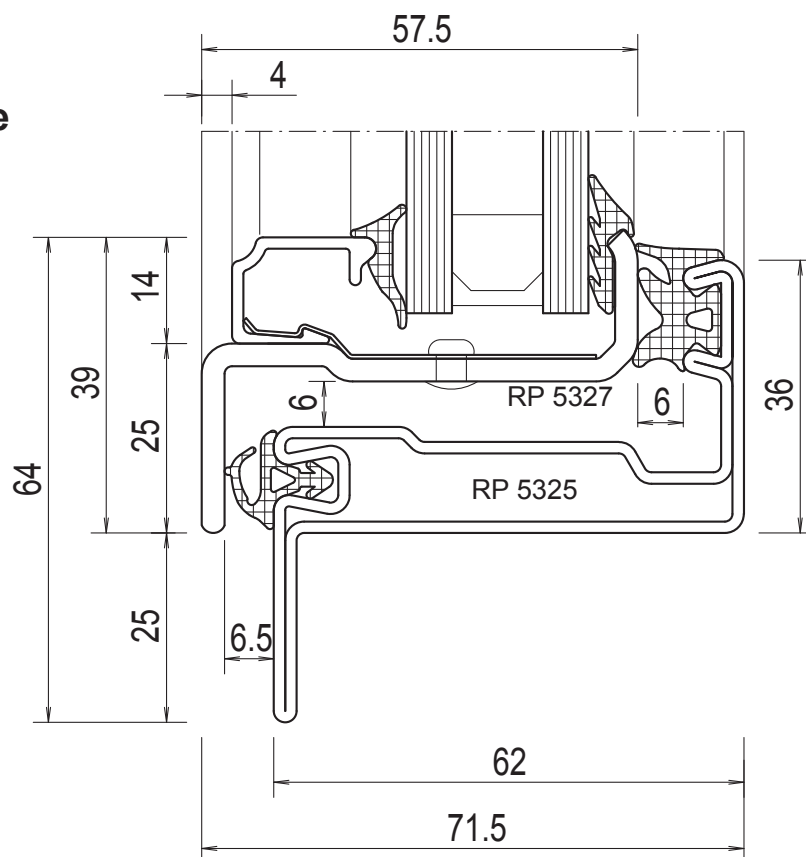
System sections
scale 1:1

Window system
RP-hermetic FINELINE

leaf sash bar



leaf / frame

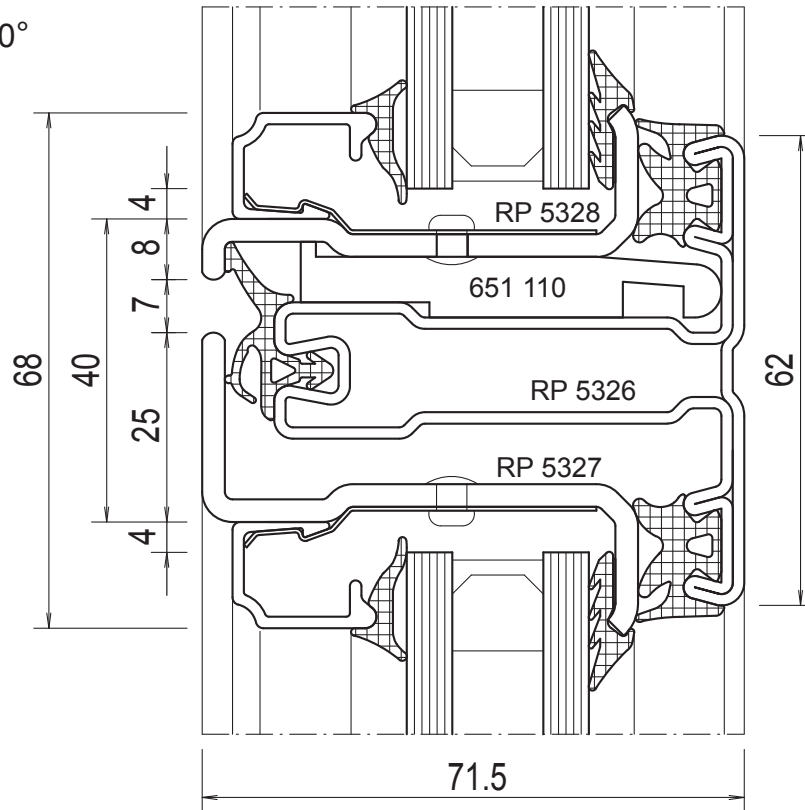


May contain modifications and errors.

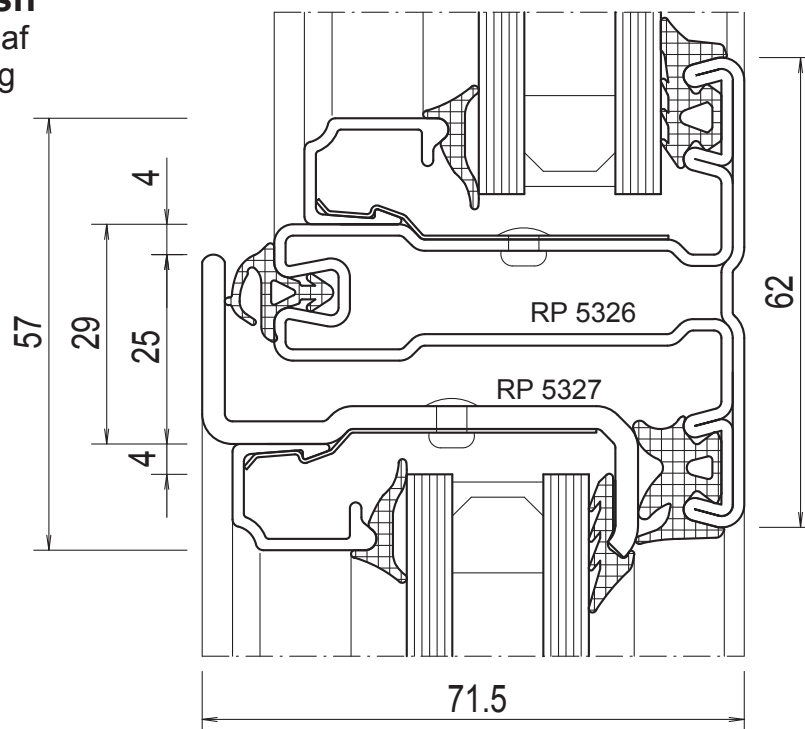
System sections
scale 1:1

Window system
RP-hermetic FINELINE

sash
turned by 90°



frame sash
transition leaf
fixed glazing

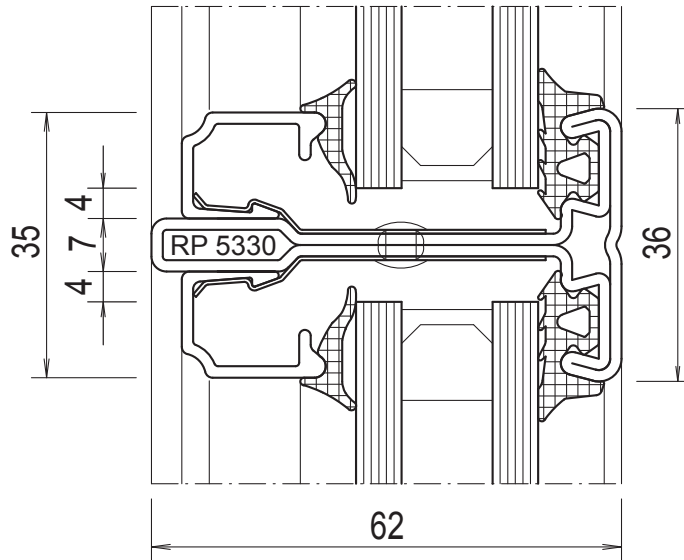


May contain modifications and errors.

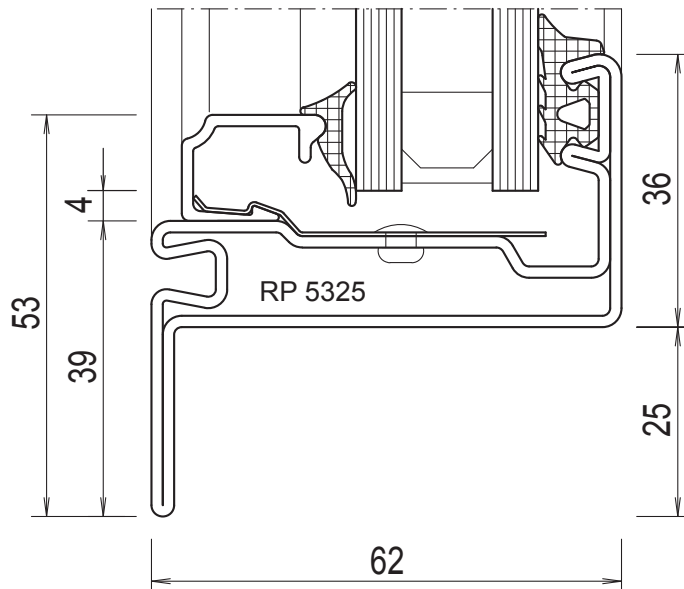
System sections
scale 1:1

Window system
RP-hermetic FINELINE

frame sash
fixed glazing



frame
fixed glazing

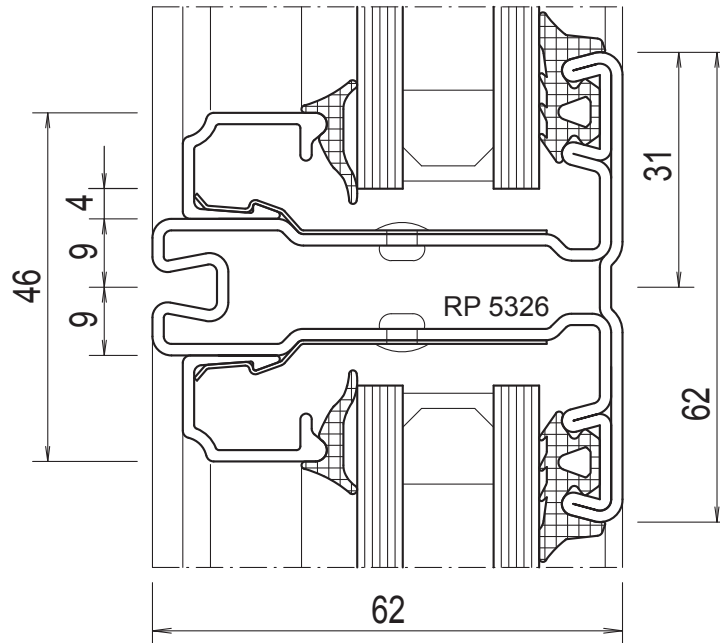


May contain modifications and errors.

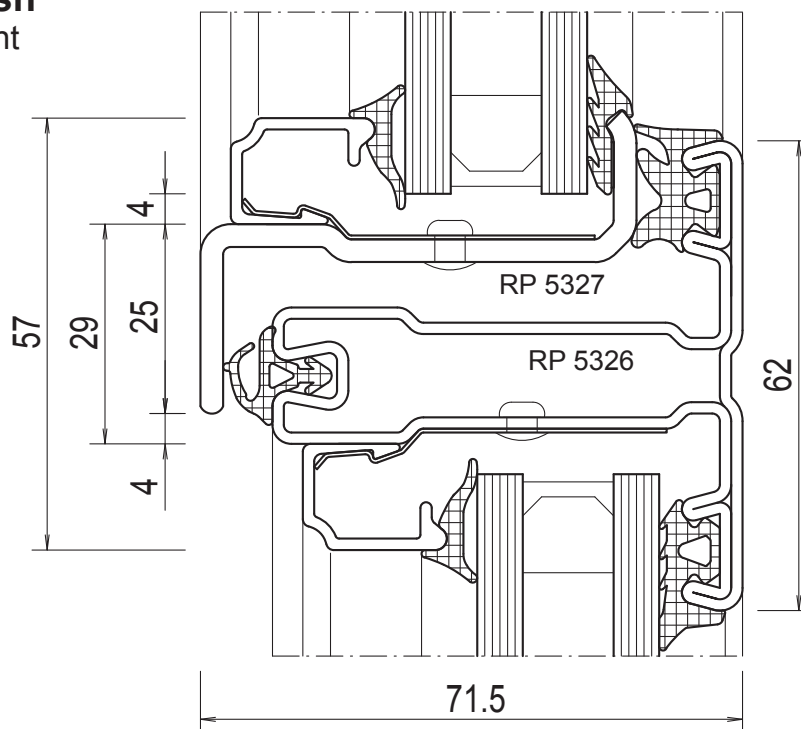
System sections
scale 1:1

Window system
RP-hermetic FINELINE

frame sash
fixed glazing



frame sash
leaf / fanlight

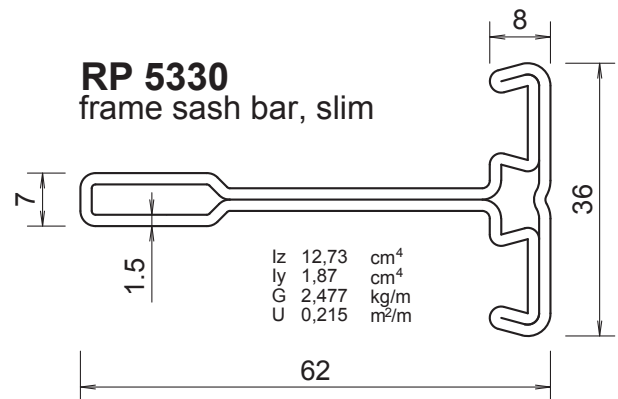
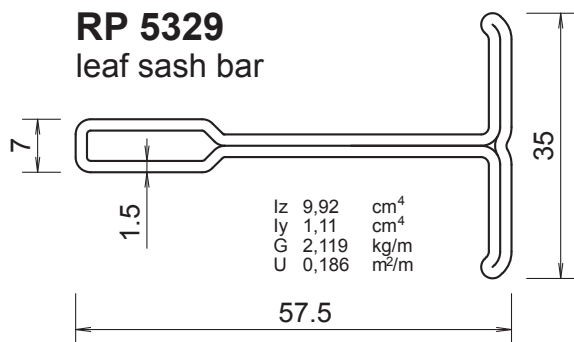
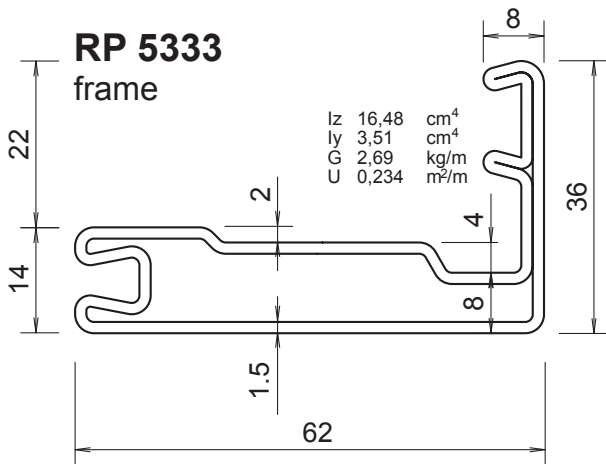
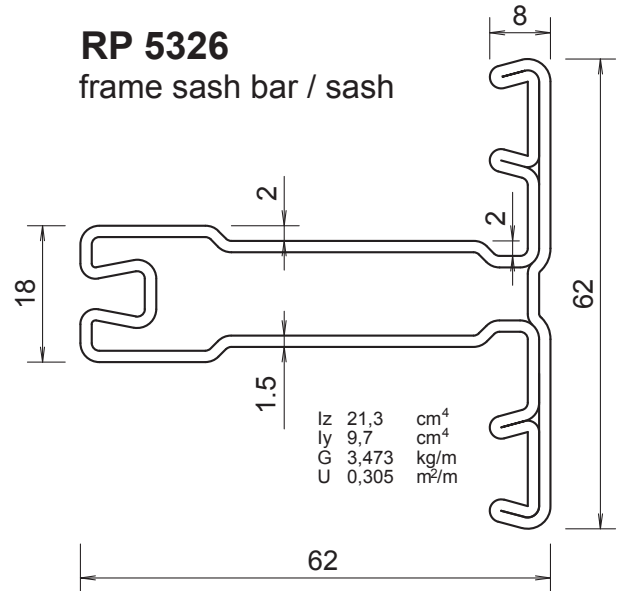
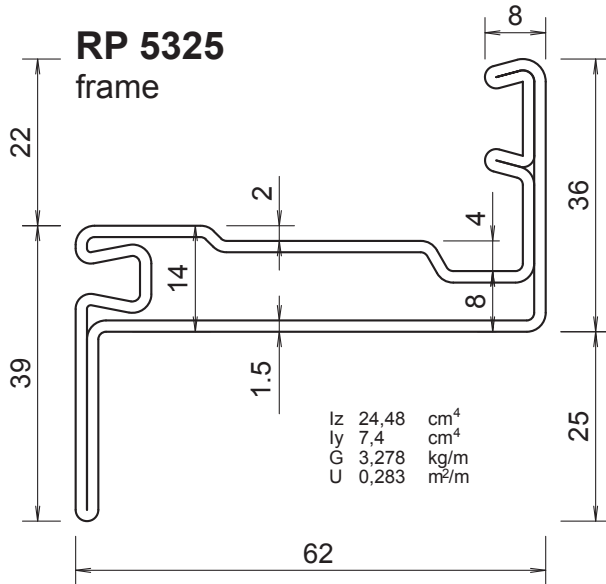


May contain modifications and errors.

Profile
scale 1:1

Window system
RP-hermetic FINELINE

frame and sash bar profiles
steel



material

steel: S 235 JRG 2, pregalvanized
aluminium: AlMgSi05F22, anodizable

legend

I_z = moment of surface inertia under load in y-direction
I_y = moment of surface inertia under load in z-direction



G = weight

A = section surface

U = total circumference

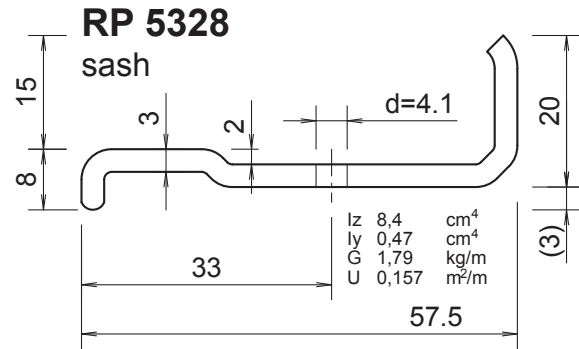
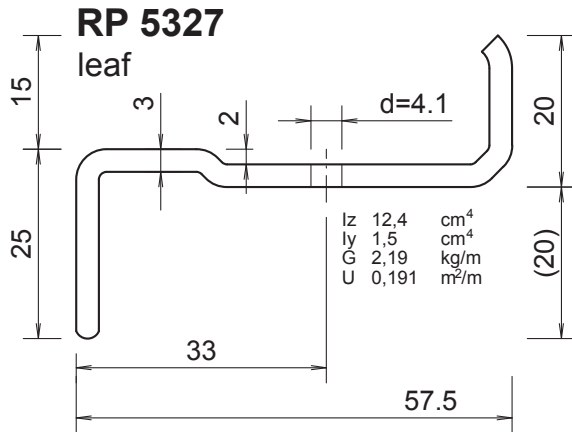
O = clear surface, outside

May contain modifications and errors.

Profile
scale 1:1

Window system
RP-hermetic FINELINE

leaf profiles
steel



material

steel: S 235 JRG 2, pregalvanized
aluminium: AlMgSi05F22, anodizable

legend

I_z = moment of surface inertia under load in y-direction
 I_y = moment of surface inertia under load in z-direction

G = weight
A = section surface

U = total circumference
O = clear surface, outside

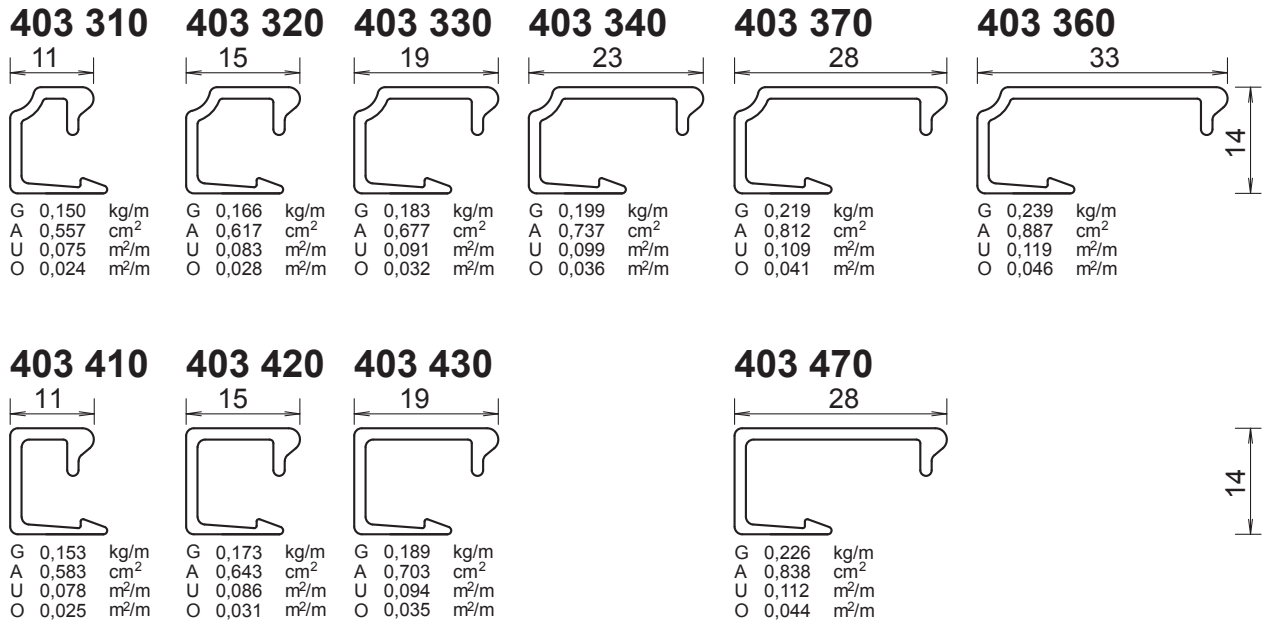


May contain modifications and errors.

Profile
scale 1:1

Window system
RP-hermetic FINELINE

glazing beads
aluminium



material

steel: S 235 JRG 2, pregalvanized
aluminium: AlMgSi05F22, anodizable

legend

I_z = moment of surface inertia under load in y-direction
 I_y = moment of surface inertia under load in z-direction

G = weight
A = section surface
U = total circumference
O = clear surface, outside



May contain modifications and errors.

Glazing table

Window system RP-hermetic FINELINE

glazing thickness (mm)	glazing bead art.no.	seal inside art.no.	seal outside art.no. RP 5325 / 5326 fixed glazing	seal outside art.no. RP 5327 / 5328 leaf	seal outside art.no. RP 5329 leaf sash bar
------------------------	----------------------	---------------------	---	--	--

aluminium (45°)

glazing thickness (mm)	glazing bead art.no.	seal inside art.no.	seal outside art.no.	seal outside art.no.	seal outside art.no.
8	403 360 (33 mm)	304 160 (6 mm)	301 151	301 142	301 142
10	403 360 (33 mm)	304 140 (4 mm)			
(12)	403 370 (28 mm)	300 570 (7 mm)			
13	403 370 (28 mm)	304 160 (6 mm)			
14	403 370 (28 mm)	300 520 (5 mm)			
15	403 370 (28 mm)	304 140 (4 mm)			
(16)	403 370 (28 mm)	300 510 (3 mm)			
18	403 340 (23 mm)	304 160 (6 mm)			
20	403 340 (23 mm)	304 140 (4 mm)			
(21)	403 330 (19 mm)	300 570 (7 mm)			
22	403 330 (19 mm)	304 160 (6 mm)			
24	403 330 (19 mm)	304 140 (4 mm)			
(25)	403 320 (15 mm)	300 570 (7 mm)			
26	403 320 (15 mm)	304 160 (6 mm)			
28	403 320 (15 mm)	304 140 (4 mm)			
(29)	403 310 (11 mm)	300 570 (7 mm)			
30	403 310 (11 mm)	304 160 (6 mm)			
32	403 310 (11 mm)	304 140 (4 mm)			



aluminium (90°)

glazing thickness (mm)	glazing bead art.no.	seal inside art.no.	seal outside art.no.	seal outside art.no.	seal outside art.no.
(12)	403 470 (28 mm)	300 570 (7 mm)	301 151	301 142	301 142
13	403 470 (28 mm)	304 160 (6 mm)			
14	403 470 (28 mm)	300 520 (5 mm)			
15	403 470 (28 mm)	304 140 (4 mm)			
(16)	403 470 (28 mm)	300 510 (3 mm)			
(21)	403 430 (19 mm)	300 570 (7 mm)			
22	403 430 (19 mm)	304 160 (6 mm)			
24	403 430 (19 mm)	304 140 (4 mm)			
(25)	403 420 (15 mm)	300 570 (7 mm)			
26	403 420 (15 mm)	304 160 (6 mm)			
28	403 420 (15 mm)	304 140 (4 mm)			
(29)	403 410 (11 mm)	300 570 (7 mm)			
30	403 410 (11 mm)	304 160 (6 mm)			
32	403 410 (11 mm)	304 140 (4 mm)			



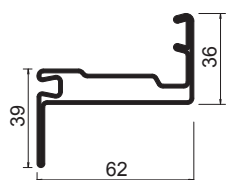
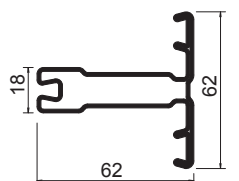
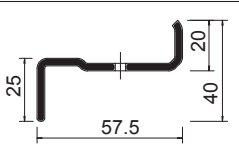
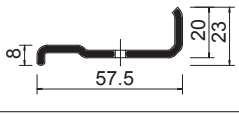


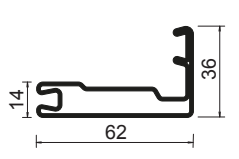
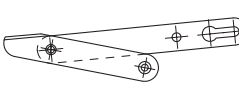

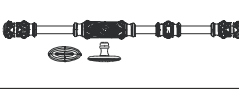
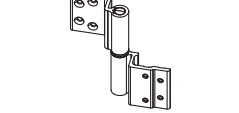
Tolerances of glass thickness, as well as galvanization and surface coating have to be kept to. Other combinations might result from this.

Regarding the system RP-hermetic FINELINE the glass tolerances in the dimension of width and height have to be considered and kept according to the manufacturing tolerance of the elements (± 1 mm).

May contain modifications and errors.

Articles overview












Window system
RP-hermetic FINELINE

	art.no.	PU PU / bundle	description additional info	
	RP 5325	6 m (48 pcs/bundle)	frame profile t = 1,5 mm pregalvanized	Iz 24,48 cm ⁴ Iy 7,4 cm ⁴ G 3,287 kg/m U 0,283 m ² /m
	RP 5326	6 m (48 pcs/bundle)	frame sash profile additional profiles for sash t = 1,5 mm pregalvanized	Iz 21,3 cm ⁴ Iy 9,7 cm ⁴ G 3,473 kg/m U 0,305 m ² /m
	RP 5327	6 m (48 pcs/bundle)	leaf profile t = 3 mm pregalvanized, with hole	Iz 12,4 cm ⁴ Iy 1,5 cm ⁴ G 2,19 kg/m U 0,191 m ² /m
	RP 5328	6 m (48 pcs/bundle)	sash profile t = 3 mm pregalvanized, with hole	Iz 8,4 cm ⁴ Iy 0,47 cm ⁴ G 1,79 kg/m U 0,157 m ² /m
	RP 5329	6 m (48 pcs/bundle)	leaf sash profile t = 1,5 mm pregalvanized	Iz 9,92 cm ⁴ Iy 1,11 cm ⁴ G 2,119 kg/m U 0,186 m ² /m
	RP 5330	6 m (48 pcs/bundle)	leaf sash profile, slim t = 1,5 mm pregalvanized	Iz 12,73 cm ⁴ Iy 1,87 cm ⁴ G 2,477 kg/m U 0,215 m ² /m
	RP 5333	6 m (48 pcs/bundle)	frame profile t = 1,5 mm pregalvanized	Iz 16,48 cm ⁴ Iy 3,51 cm ⁴ G 2,69 kg/m U 0,234 m ² /m
	140 450	1 Set	security and cleansing scissors set right and left side with screws	
	150 150	1 pc	uplock hook for espagnolette 915 102 for center locking with covered locking mechanism	
	193 360	1 pc	espagnolette nostalgia	
	196 110	1 pc	screw-on hinge adjustable 90 kg leaf weight per pair of hinges	

May contain modifications and errors.

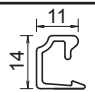
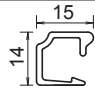
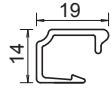
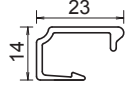
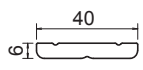
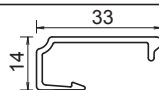
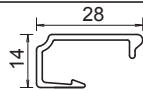

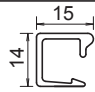
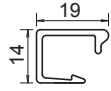
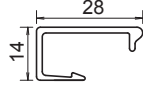
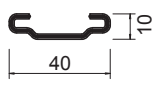

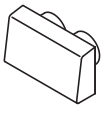
Articles overview

Window system
RP-hermetic FINELINE

	art.no.	PU PU / bundle	description additional info
	196 900	1 pc	window hinge weld-on hinge
	300 510	100 m	glazing seal inside, 3 mm EPDM, black
	300 520	100 m	glazing seal inside, 5 mm EPDM, black
	300 570	100 m	glazing seal inside, 7 mm EPDM, black
	301 111	100 m	rebate seal inside EPDM, black
	301 121	100 m	rebate seal sash, inside EPDM, black
	301 134	100 m	rebate seal frame outside EPDM, black
	301 142	100 m	glazing seal, self-adhesive leaf, sash bar, outside EPDM, black
	301 151	100 m	glazing seal fixed glazing outside EPDM, black
	304 140	100 m	glazing seal inside, 4 mm EPDM, black
	304 160	100 m	glazing seal inside, 6 mm EPDM, black

Articles overview

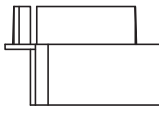
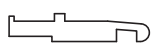

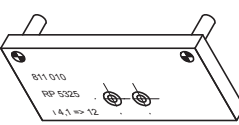
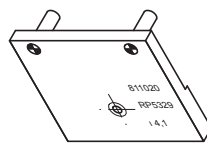
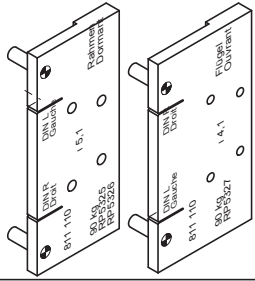
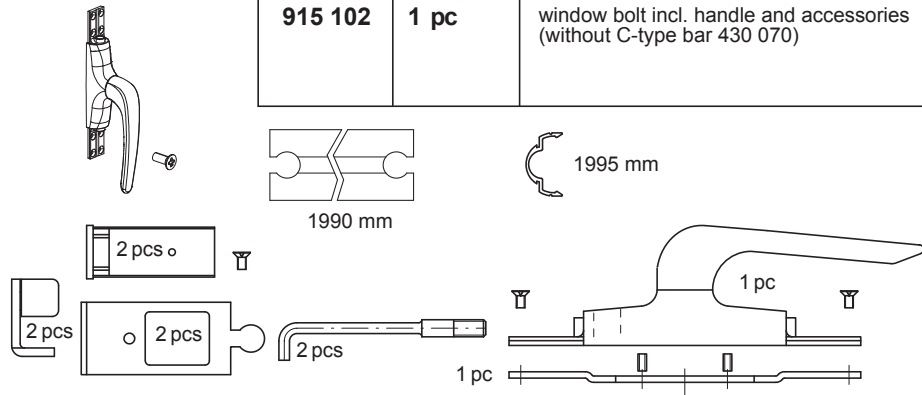
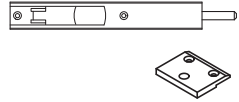
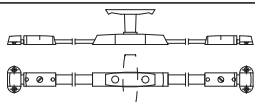
Window system
RP-hermetic FINELINE

	art.no.	PU PU / bundle	description additional info		
	403 310	60 m	glazing bead, aluminium glass thickness 30 / 32 mm	G 0,150 A 0,557 U 0,075 O 0,024	kg/m cm ² m ² /m m ² /m
	403 320	60 m	glazing bead, aluminium glass thickness 26 / 28 mm	G 0,166 A 0,617 U 0,083 O 0,028	kg/m cm ² m ² /m m ² /m
	403 330	60 m	glazing bead, aluminium glass thickness 22 / 24 mm	G 0,183 A 0,677 U 0,091 O 0,032	kg/m cm ² m ² /m m ² /m
	403 340	60 m	glazing bead, aluminium glass thickness 18 / 20 mm	G 0,199 A 0,737 U 0,099 O 0,036	kg/m cm ² m ² /m m ² /m
	403 350	6 m	espagnolette carrier profile aluminium for nostalgia fitting	G 0,627 U 90 A 2,324	kg/m mm mmý
	403 360	60 m	glazing bead, aluminium glass thickness 8 / 10 mm	G 0,239 A 0,887 U 0,119 O 0,046	kg/m cm ² m ² /m m ² /m
	403 370	60 m	glazing bead, aluminium glass thickness 13 / 15 mm	G 0,219 A 0,812 U 0,109 O 0,041	kg/m cm ² m ² /m m ² /m
	403 410	60 m	glazing bead, aluminium glass thickness 30/ 32mm	G 0,157 A 0,583 U 0,078 O 0,025	kg/m cm ² m ² /m m ² /m
	403 420	60 m	glazing bead, aluminium glass thickness 26 / 28 mm	G 0,173 A 0,643 U 0,086 O 0,031	kg/m cm ² m ² /m m ² /m
	403 430	60 m	glazing bead, aluminium glass thickness 22 / 24 mm	G 0,189 A 0,703 U 0,094 O 0,035	kg/m cm ² m ² /m m ² /m
	403 470	60 m	glazing bead, aluminium glass thickness 13 / 15 mm	G 0,226 A 0,838 U 0,112 O 0,044	kg/m cm ² m ² /m m ² /m
	430 070	6 m (10 pcs/bundle)	C-type bar, t = 2 mm with hole pregalvanized for espagnolette lock 915 102	G 0,962 A 1,226 U 0,127 O 0,054	kg/m cm ² m ² /m m ² /m
	620 100	100 pcs	blind rivet, countersunk screw stainless steel / stainless steel d = 5 mm, l = 10 mm clamp length 4,0 - 6,0 mm for door hinges		
	650 220	10 pcs	drainage and ventilation cap, (PA), black (2 x D=12mm)		

May contain modifications and errors.

Articles overview

Window system
RP-hermetic FINELINE

	art.no.	PU PU / bundle	description additional info
	651 100	1 pc	sash adaptor (PA), black 2 pcs / sash
	651 110	10 pcs	distance piece sash connection (PA), black 3 pcs / m
	671 010	100 pcs	spring for glazing beads (with standard rivet D = 4 mm, clamp length 2- 4 mm fixed (aluminium / stainless steel)
	811 010	1 pc	drill jig pre-drilled hole drainage cap (650 220) in RP 5325
	811 020	1 pc	drill jig glazing bead spring
	811 110	1 pc	drill jig (set) for screw-on hinge 90 kg (196 110)
	915 102	1 pc	window bolt incl. handle and accessories (without C-type bar 430 070)
	915 130	1 pc	squaring bolt sash lock with lock wedge
	915 140	1 pc	espagnolette classic

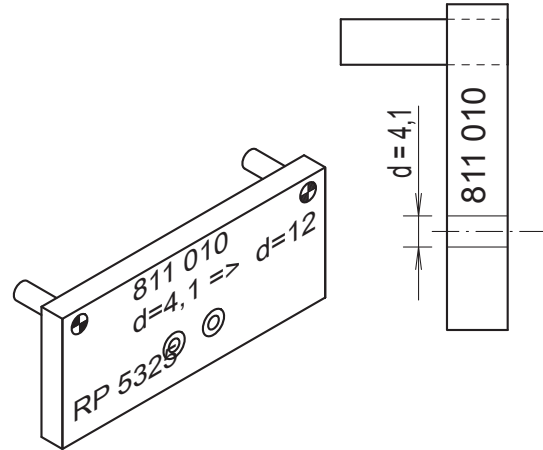
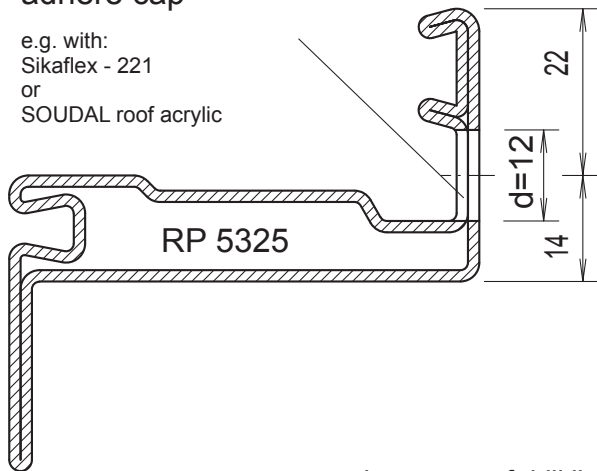
May contain modifications and errors.

Processing
ventilation and drainage
with cap 650 220

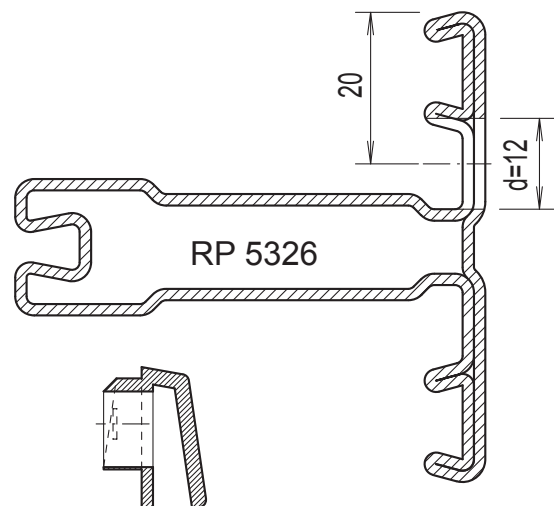
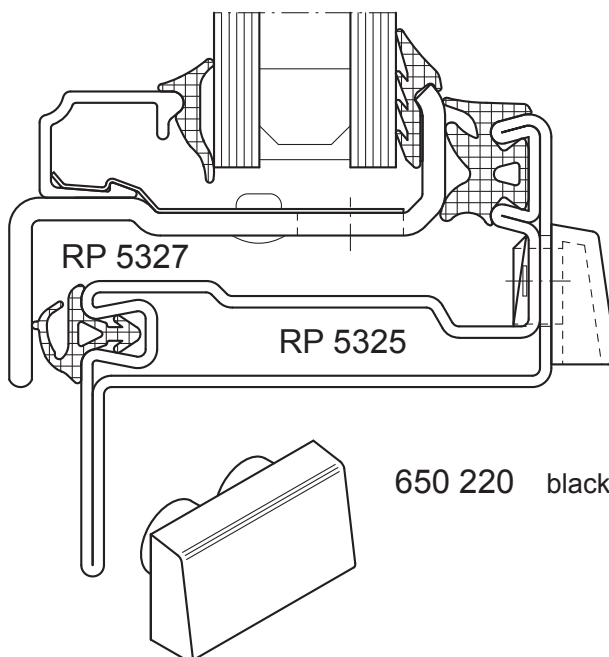
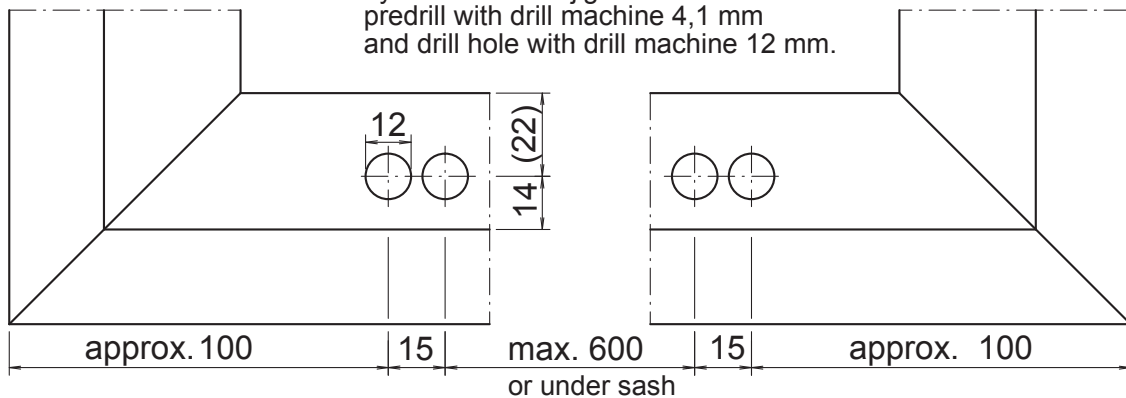
Window system
RP-hermetic FINELINE

seal gap
adhere cap

e.g. with:
Sikaflex - 221
or
SOULDAL roof acrylic



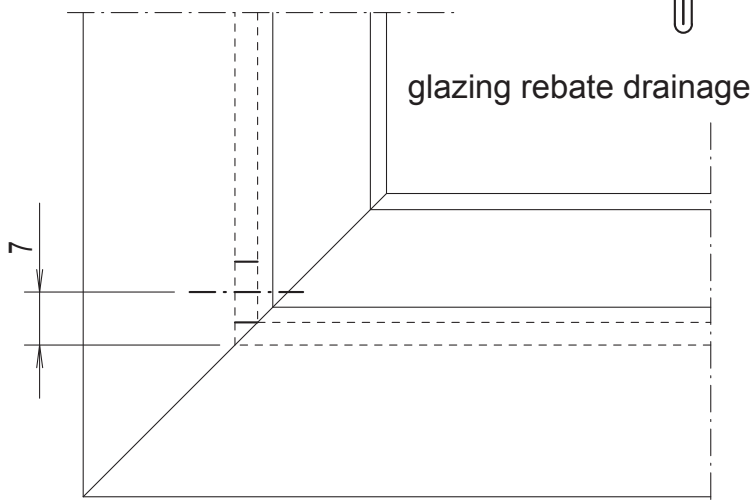
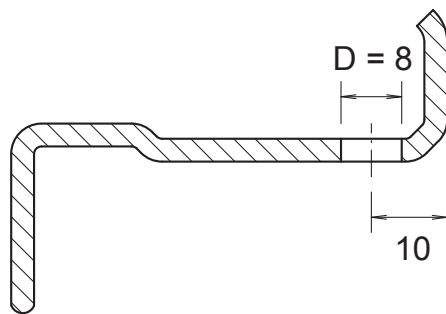
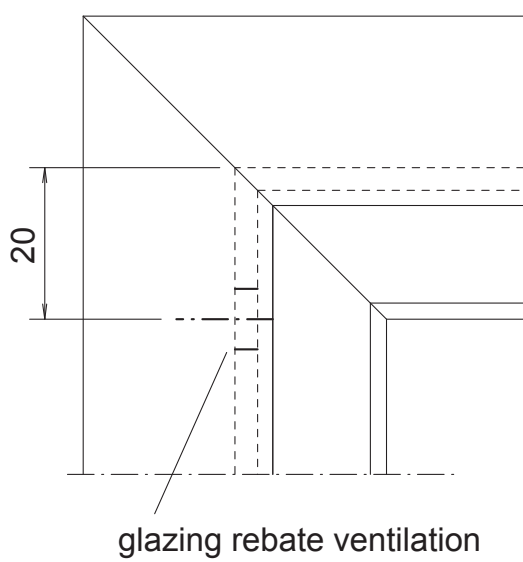
by means of drill jig 811 010
pre-drill with drill machine 4,1 mm
and drill hole with drill machine 12 mm.



May contain modifications and errors.

Processing
 rebate ventilation and drainage

Window system
RP-hermetic FINELINE

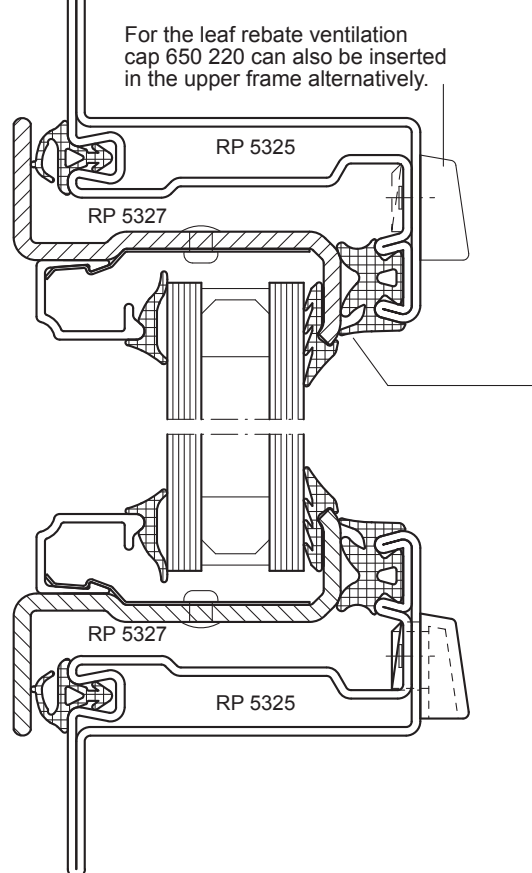


leaf rebate ventilation

In the upper cover frame the lips of the rebate seal are 100 mm away from the inside corner each, have to be removed at a length of 50 mm.

But the distance from one to the other should not be more than 600 mm.

For the leaf rebate ventilation cap 650 220 can also be inserted in the upper frame alternatively.



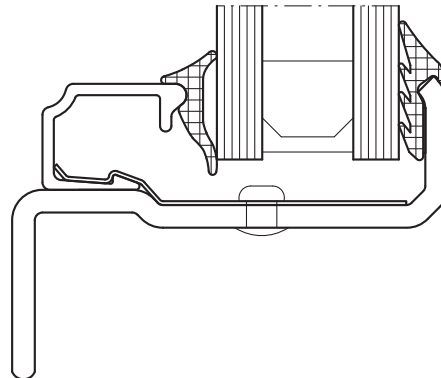
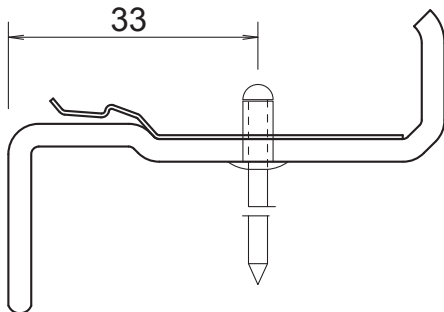
Do not cover apertures in the glazing rebate by block bridges!

May contain modifications and errors.

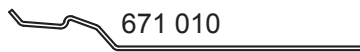
Processing
 glazing bead fixation

Window system
RP-hermetic FINELINE

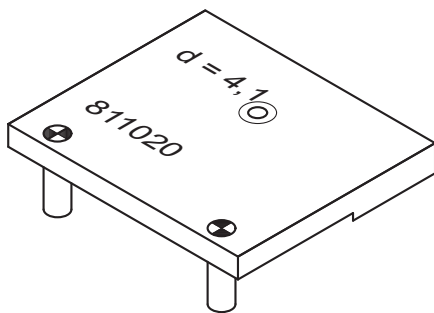
leaf



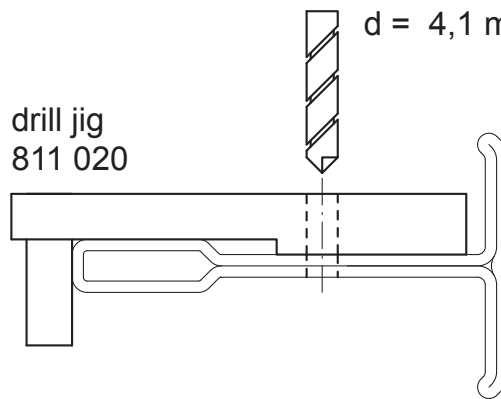
setting of spring



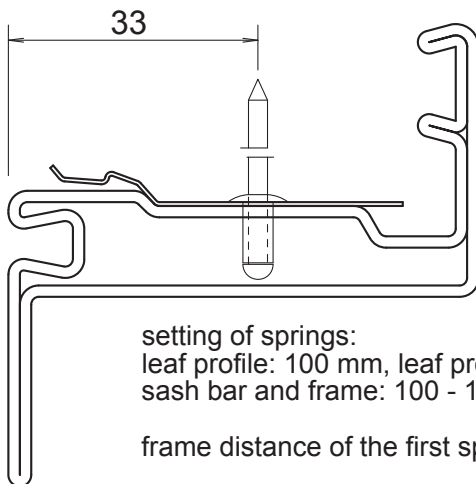
blind rivet 4 mm, (on constr. Side)
 with: clamp area 2,5-4,5 mm
 aluminium / stainless steel



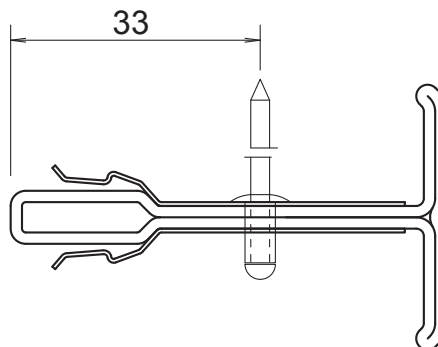
drill jig
 811 020



fixed glazing



sash bar



setting of springs:
 leaf profile: 100 mm, leaf profiles have predrilled holes.
 sash bar and frame: 100 - 150 mm.

frame distance of the first spring from corner: 25 - 50 mm

for the leaf profiles, an additional hole needs to be drilled
 for the clamp spring in the corner area

free drilled holes in leaf profile must be closed with blind rivets

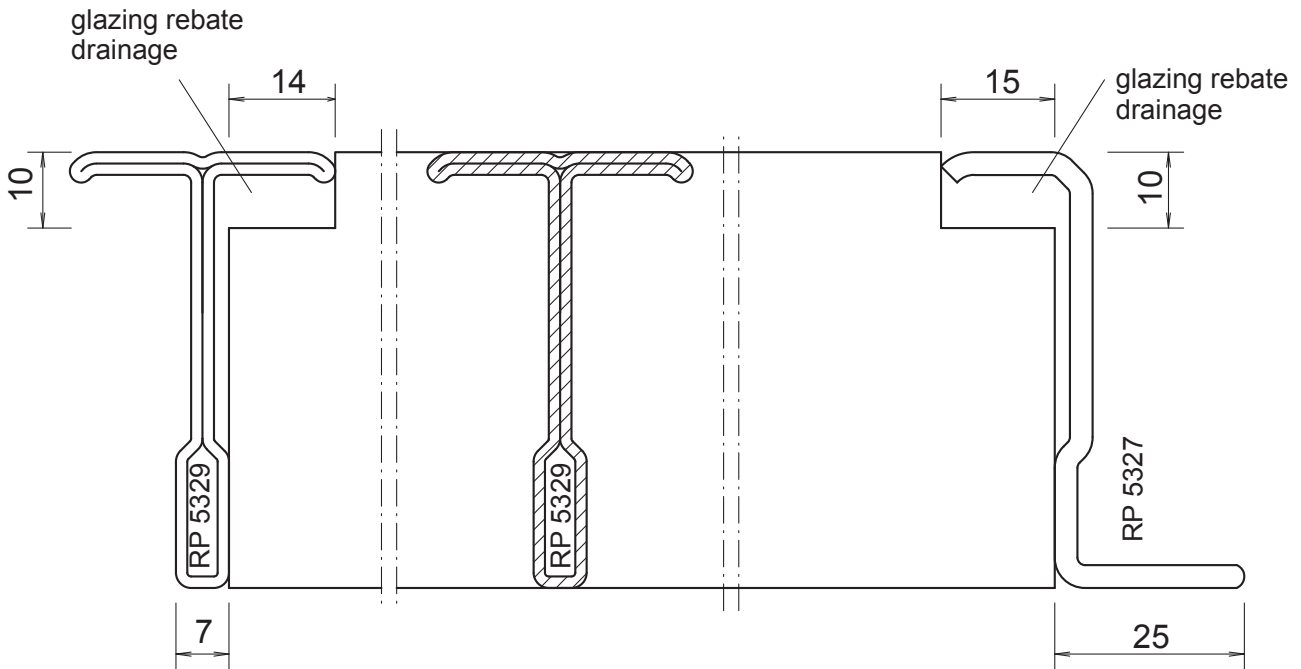
the springs have to be set in after coating
 and shouldn't be coated too.

May contain modifications and errors.

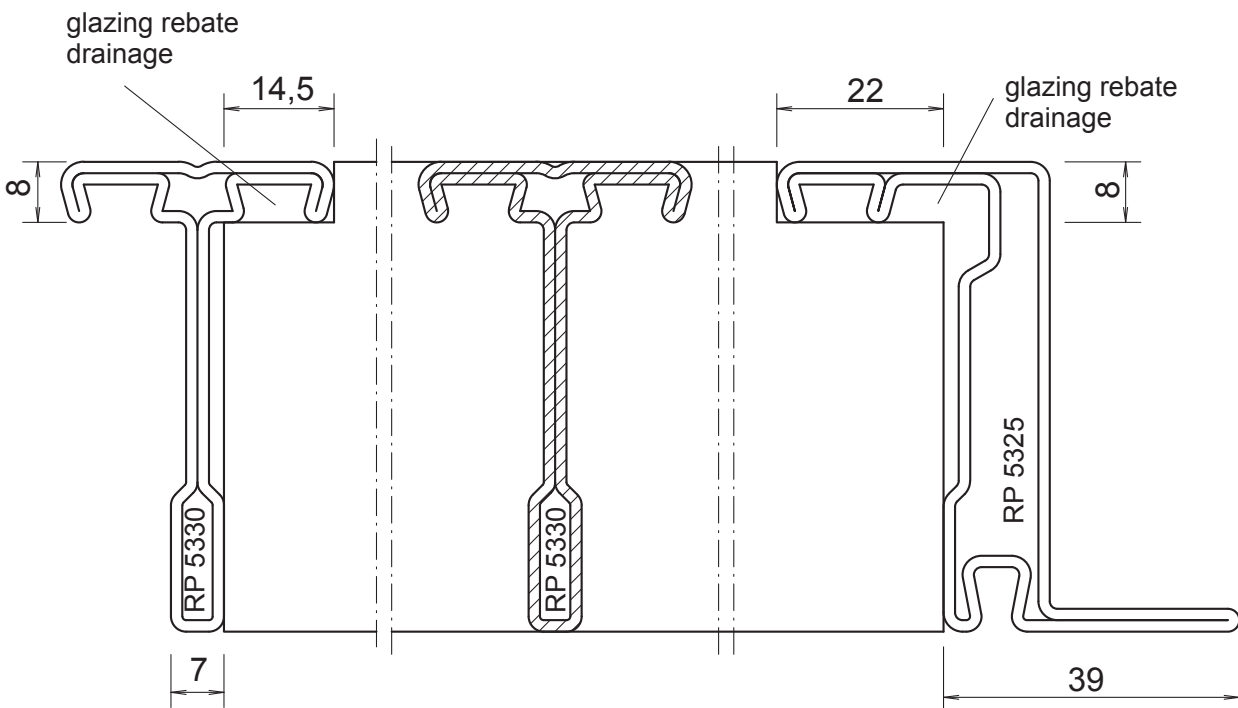
Processing
release of sash bars

Window system
RP-hermetic FINELINE

leaf sash bar



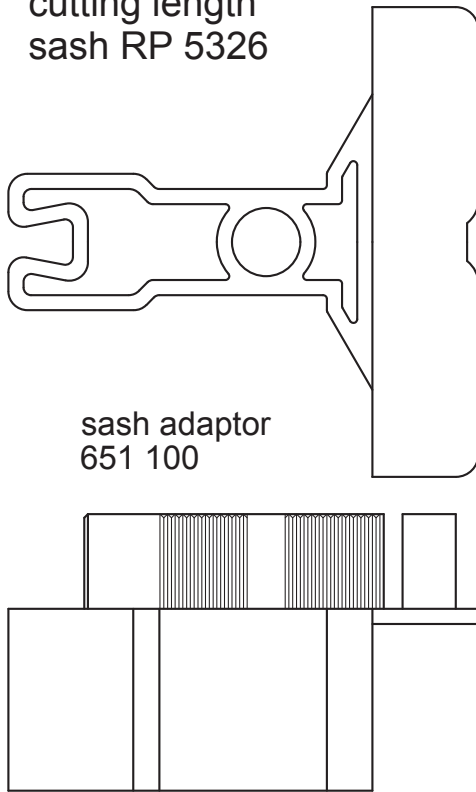
frame sash bar



May contain modifications and errors.

Processing
cutting length
sash RP 5326

Window system
RP-hermetic FINELINE



sash adaptor
651 100

insert sash adaptor 651 100
into the sash profile bottom and
top safe against loosening.
(adhesion or by graining
in the sealing groove)

press distance piece with pivot into the
hole of the sash leaf (3 pcs / m),
adjust additional sash profile onto sash
and clamp and produce connection
sash / additional profile
by means of drill screw (3,9 x 22).

drill screw 3,9 x 22

sash leaf

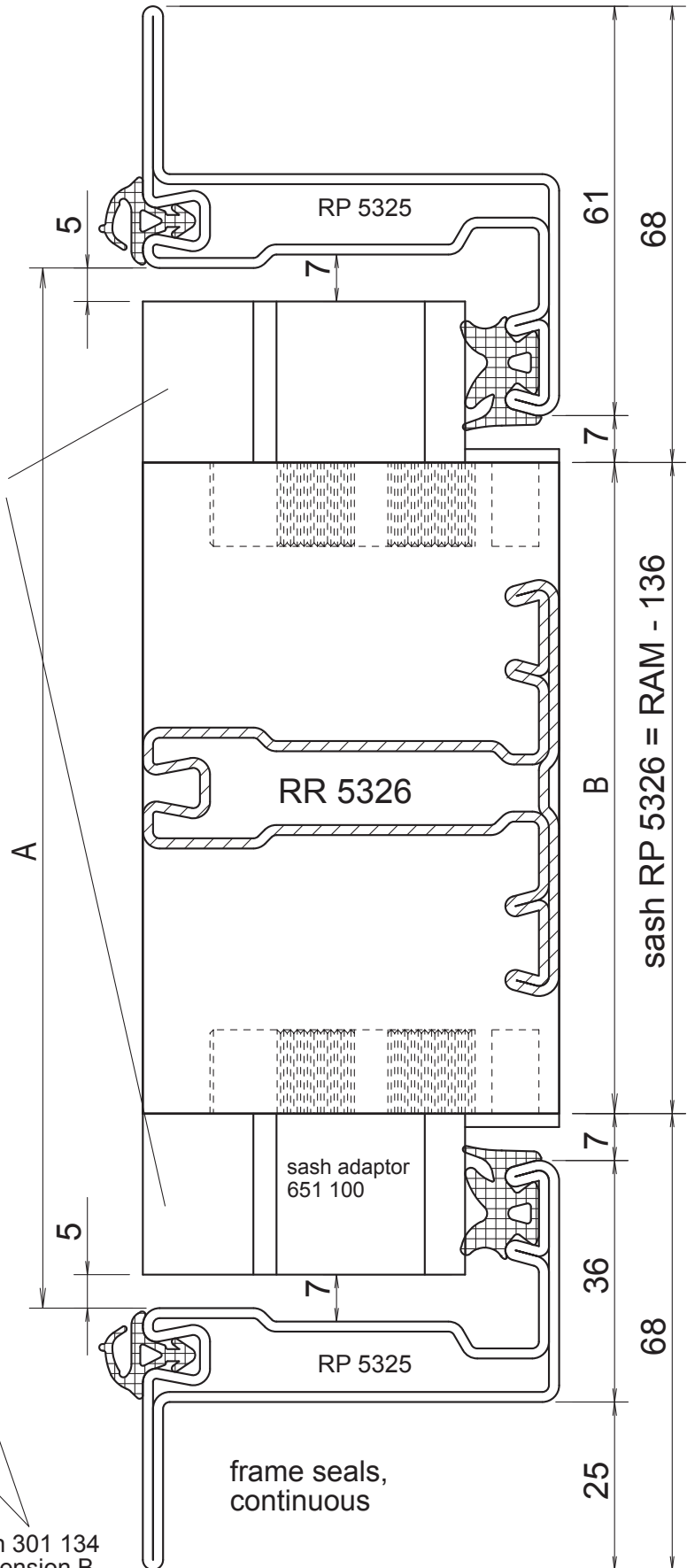
distance piece

sash

leaf

length 301 121
= dimension A

length 301 134
= dimension B



May contain modifications and errors.

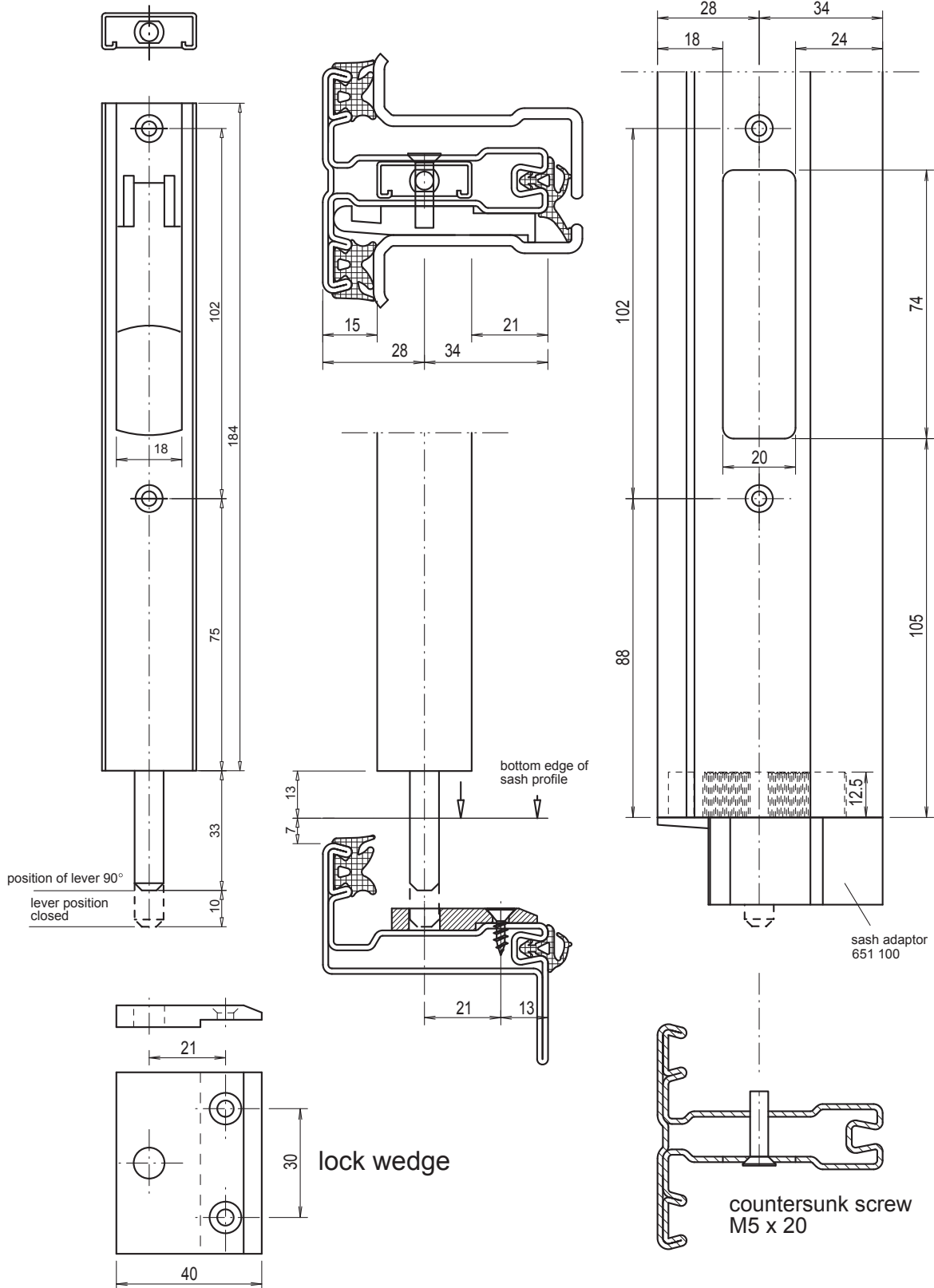
Sash lock
Squaring bolt 915 130

Window system
RP-hermetic FINELINE

sash lock

installation situation

profile work
RP 5326



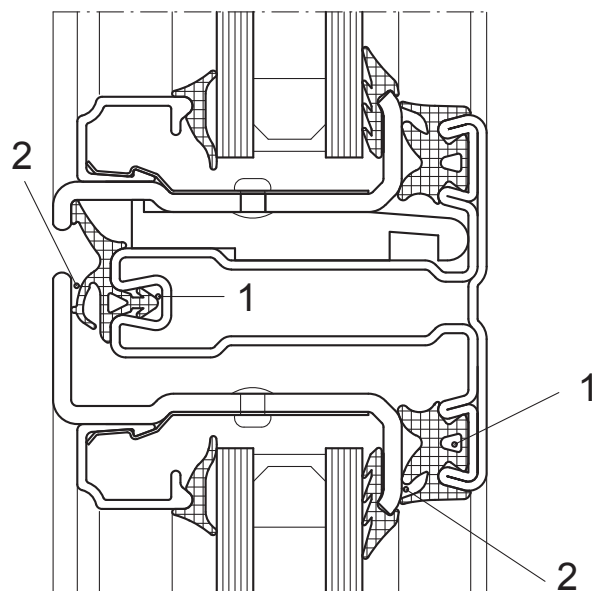
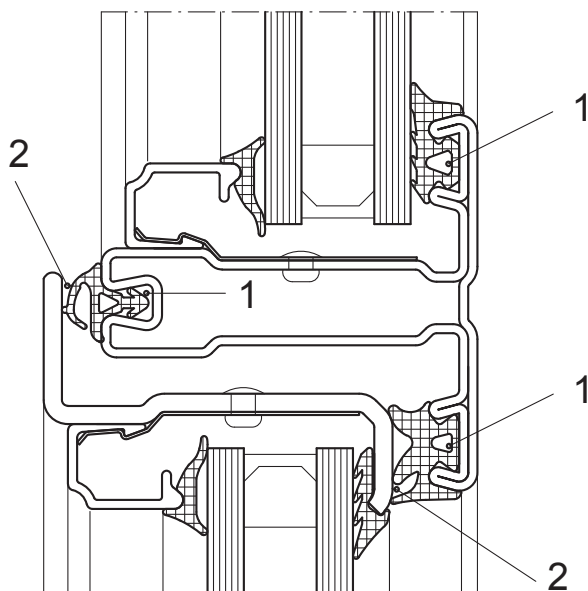
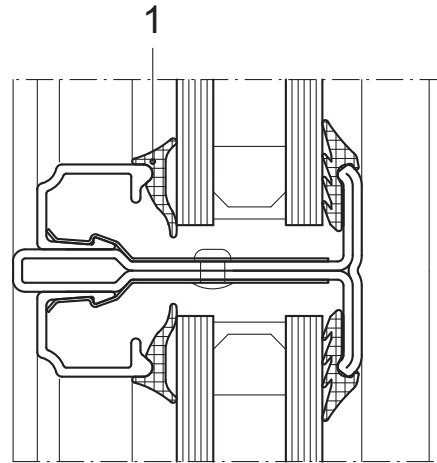
May contain modifications and errors.

Processing

seal mounting and maintenance

Window system RP-hermetic FINELINE

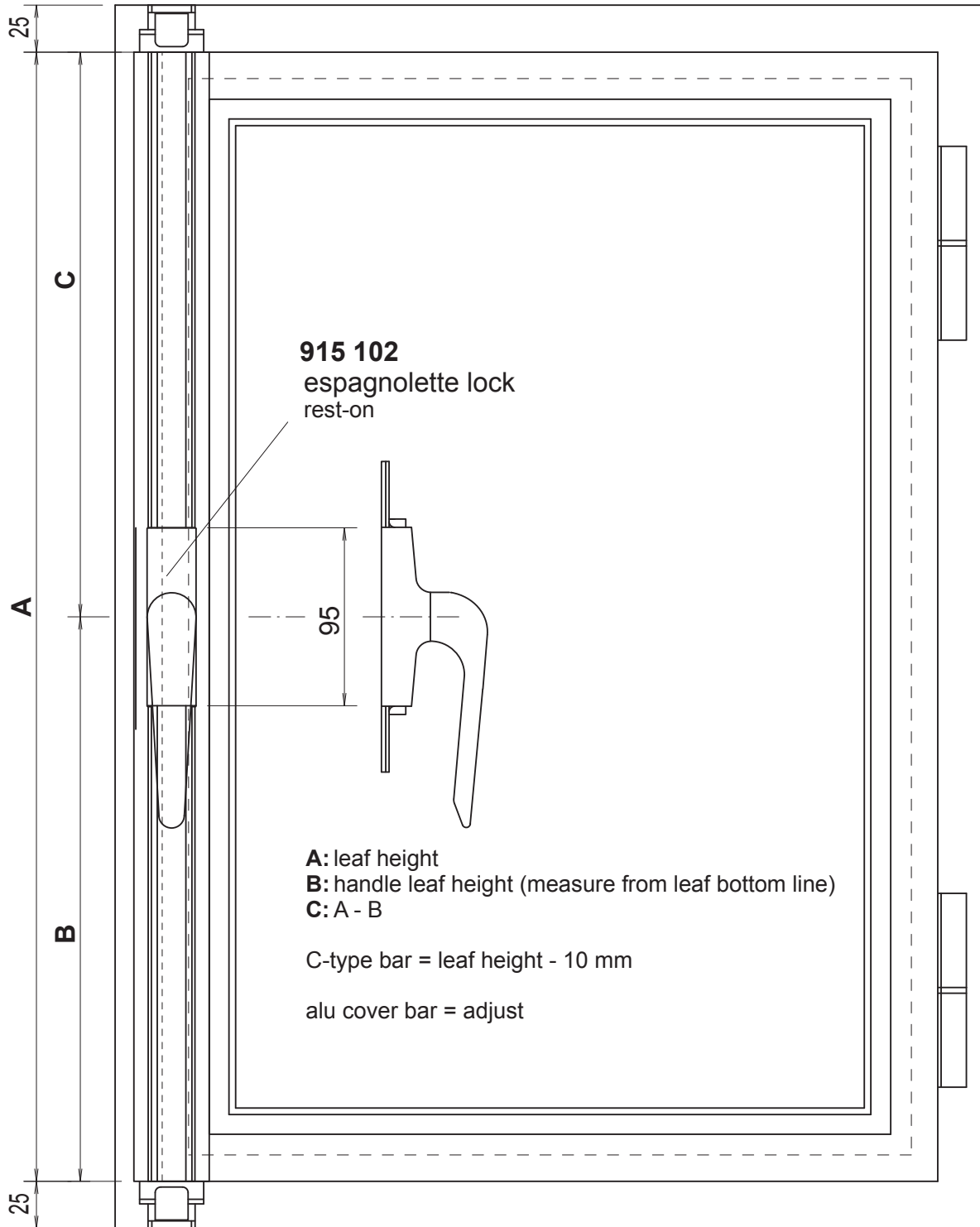
Cut surrounding seals
at 45 degree angle.
Extend the actual required
length by one percent.
Seal with elastic sealant
(e.g. Terostat MS-9360).



- 1) Insert seal, if necessary with soap water, into the grooves of the Rp profiles. Do not use silicone spray, since the seals may fall out.
- 2) If necessary, apply silicone onto the rebate seal where it has contact to the leaf.

Turn fitting
overview

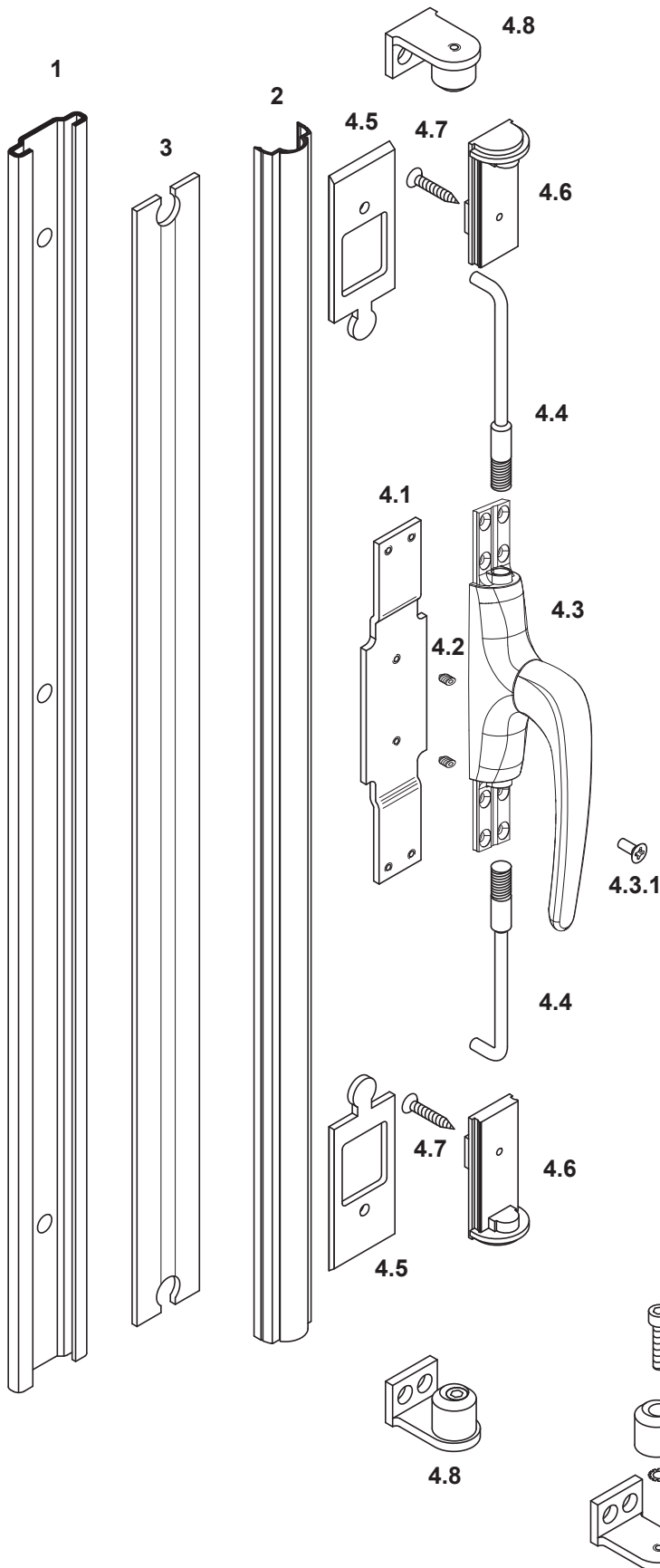
Window system
RP-hermetic FINELINE



May contain modifications and errors.

Rest-on espagnolette lock overview and parts

Window system RP-hermetic FINELINE



pos.	pce / mm	art.no.	description
1	6000 mm	430 070	C-type bar

915 102 fitting set window bolt

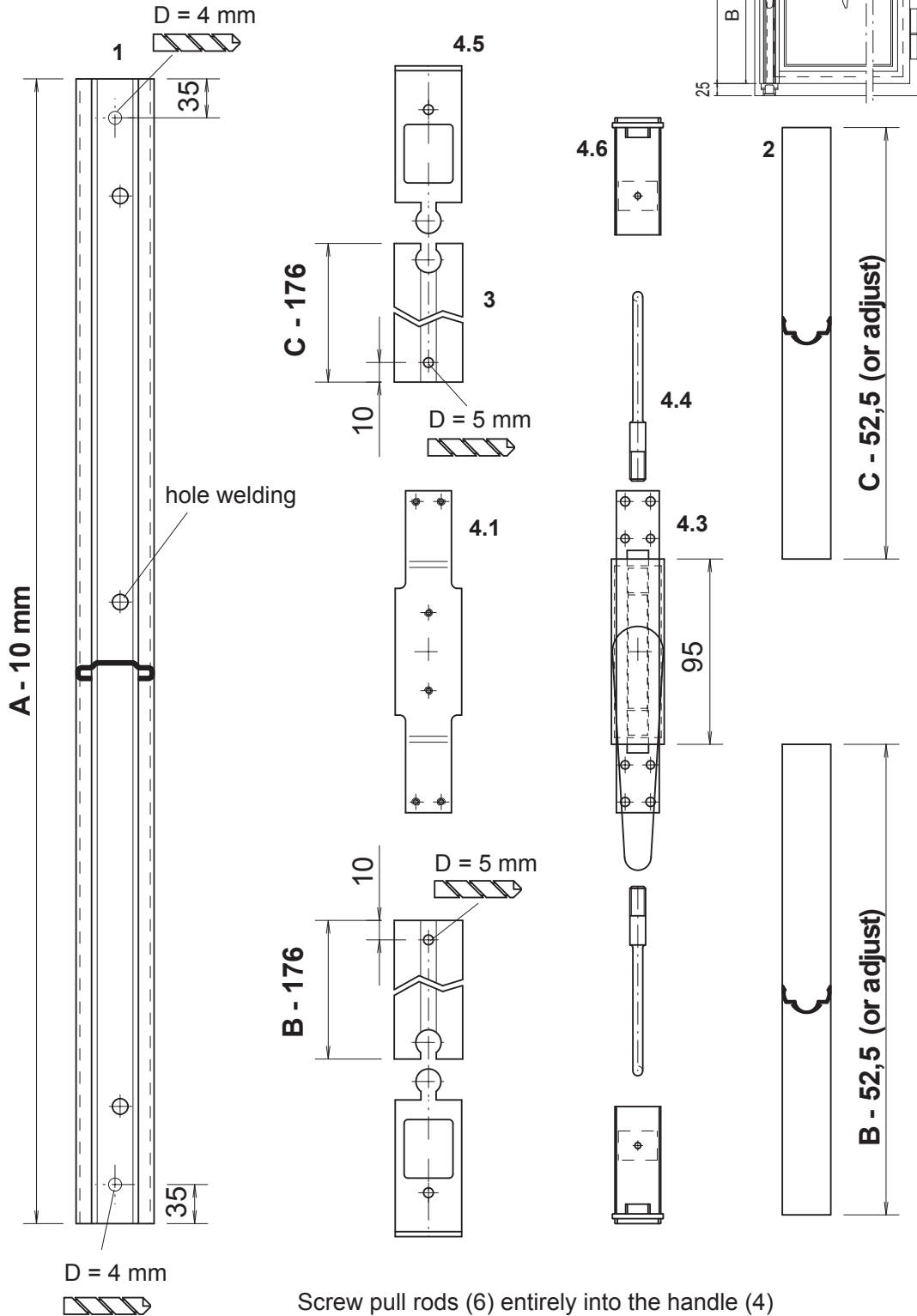
2	1995 mm	433 080	alu cover bar
3	1990 mm	150 120	lock rod
4.1	1 pce	150 100	handle carrier
4.2	2 pce	601 010	thread pin M 4 x 6
4.3	1 pce	153 100	handle
4.3.1	4 pce		screw M 4 x 10
4.4	2 pce	150 110	pull rod
4.5	2 pce	150 130	lock bolt
4.6	2 pce	651 120	end piece
4.7	2 pce	601 110	countersunk screw B 3.9 x 25
4.8		150 140	lock wedge
contains:			
4.8.1	2 pce		weld-on bearing
4.8.2	2 pce		eccentre
4.8.3	2 pce		cheese-head screw M5 x 16
4.8.4	2 pce		tooth washer

May contain modifications and errors.

Rest-on espagnolette lock
cutting lengths

- A:** leaf height
- B:** handle leaf height (measure from leaf bottom line)
- C:** A - B

Window system
RP-hermetic FINELINE



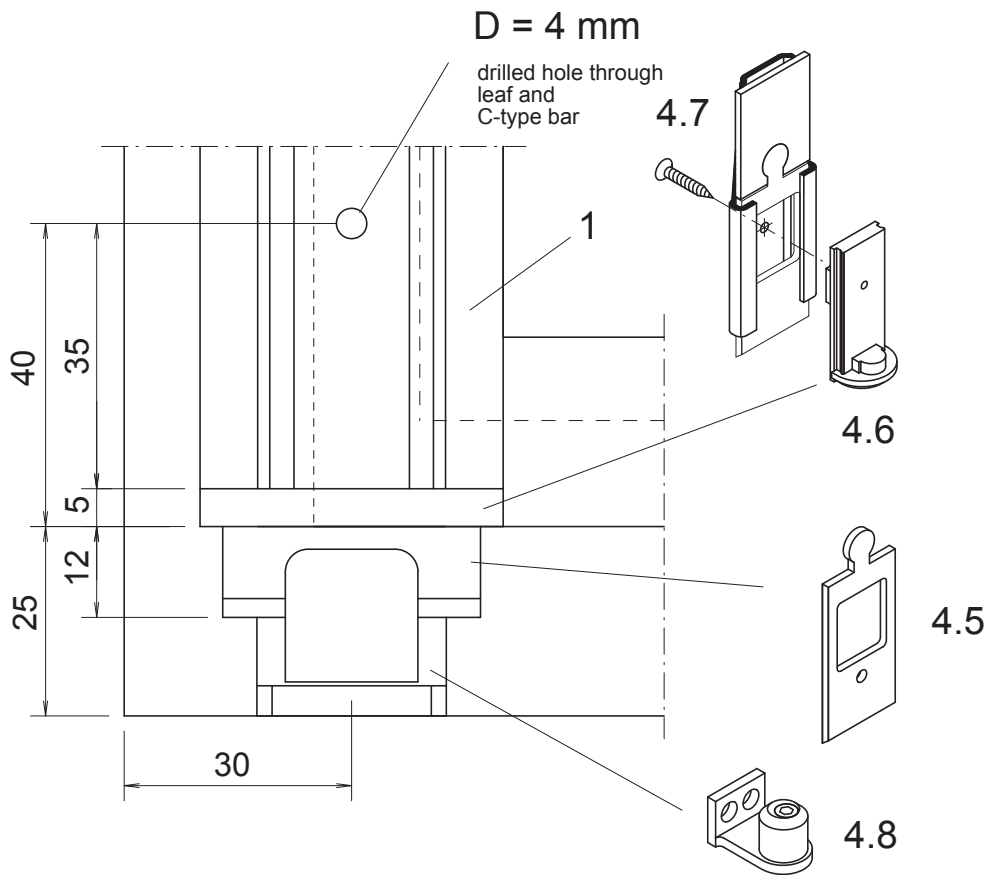
Screw pull rods (6) entirely into the handle (4) and unscrew again by 2 rotations.

May contain modifications and errors.

7.1.2

Espagnolette lock installation instruction

Window system RP-hermetic FINELINE



Cut to size C-type bar [1] and weld onto leaf profile (hole welding).
Drill hole of 4 mm through leaf and C-type bar.

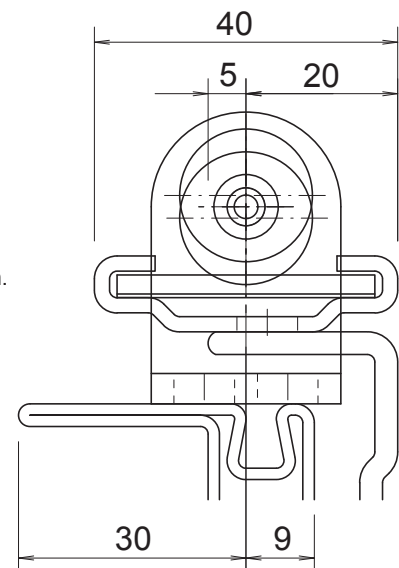
Position handle carrier [4.1] and fix with thread pin [4.2].
Screw in pull rods [4.4] entirely into the handle [4.3] and unscrew again by two rotations.
Cut to size lock rods [3], drill (5mm) and insert in C-type bar.
Hang in lock bolt [4.5] into lock rods.
Set handle onto handle carrier and screw-on provisionally [4.3.1].
The pull rods must engage in the drilled holes of 5 mm of the lock rods.
With horizontal handle position the lock bolts should lug over the C-type bar by 5 mm each.
Adjustment by turning the pull rods (remove handle).
Fix handle with screws.
Fix end piece [4.6] with countersunk screw [4.7] on C-type bar [1] from back; the end piece engages into the clearance of the lock bolt [4.5].

Cut to size alu cover bar [2] and clip it on.

Weld on weld-on bearing [4.8.1] onto frame flush-fitting outside (hole welding).
Lay tooth washer [4.8.4] between eccentric [4.8.2] and weld-on bearing.
Fix eccentric slightly with cheese-head screw [4.8.3].
Tighten with inserted leaf after adjustment.

Coatings for:
leaf with welded-on C-type bar [1].
frame with welded-on weld-on bearings [4.8.1].
alu cover bar [2].
handle - without insert piece.

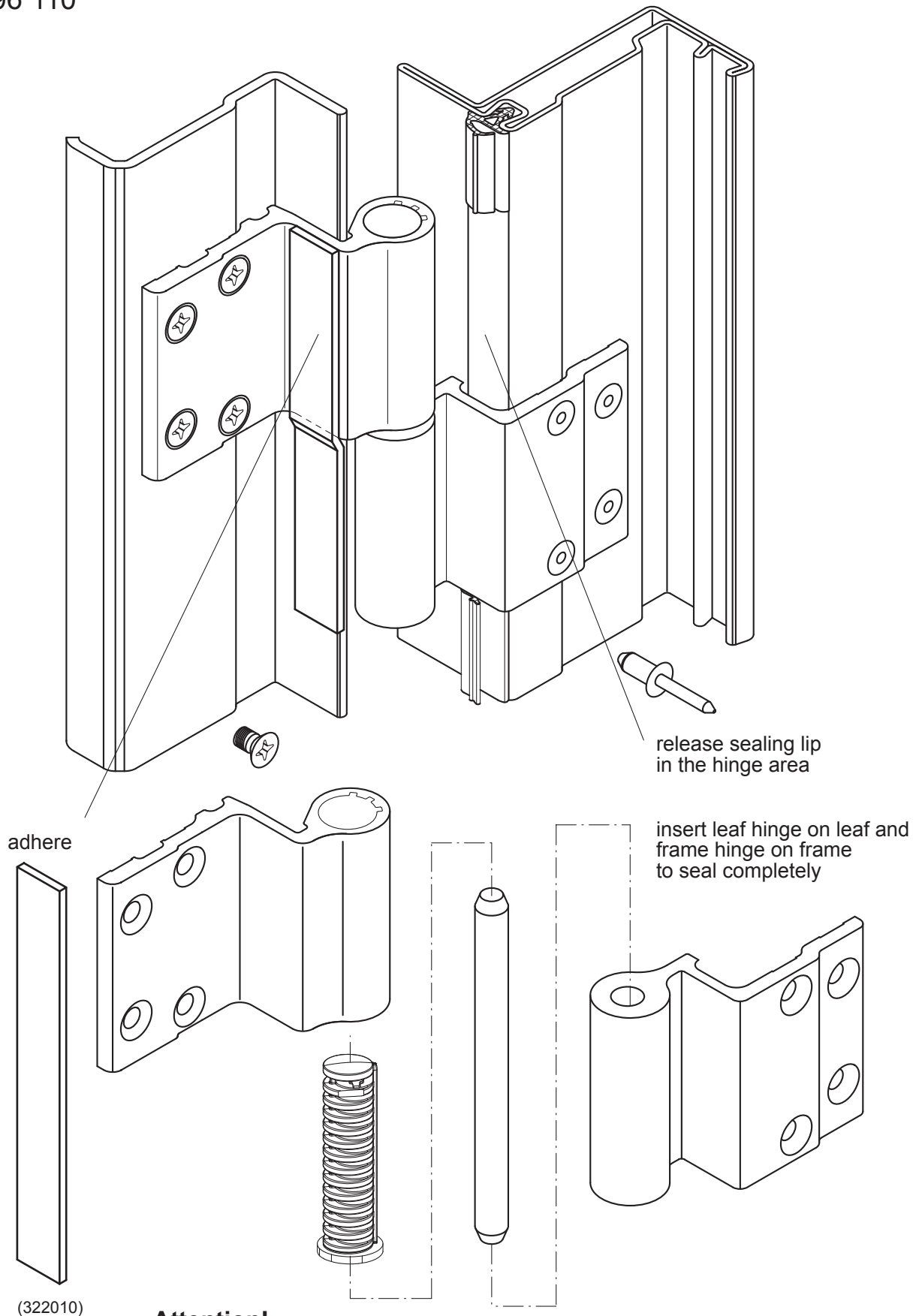
Insert the pull rods [4.4] into the C-bar guide with heat-resistant grease (after coating).



May contain modifications and errors.

Screw-on hinge 90 kg
196 110

Window system
RP-hermetic FINELINE

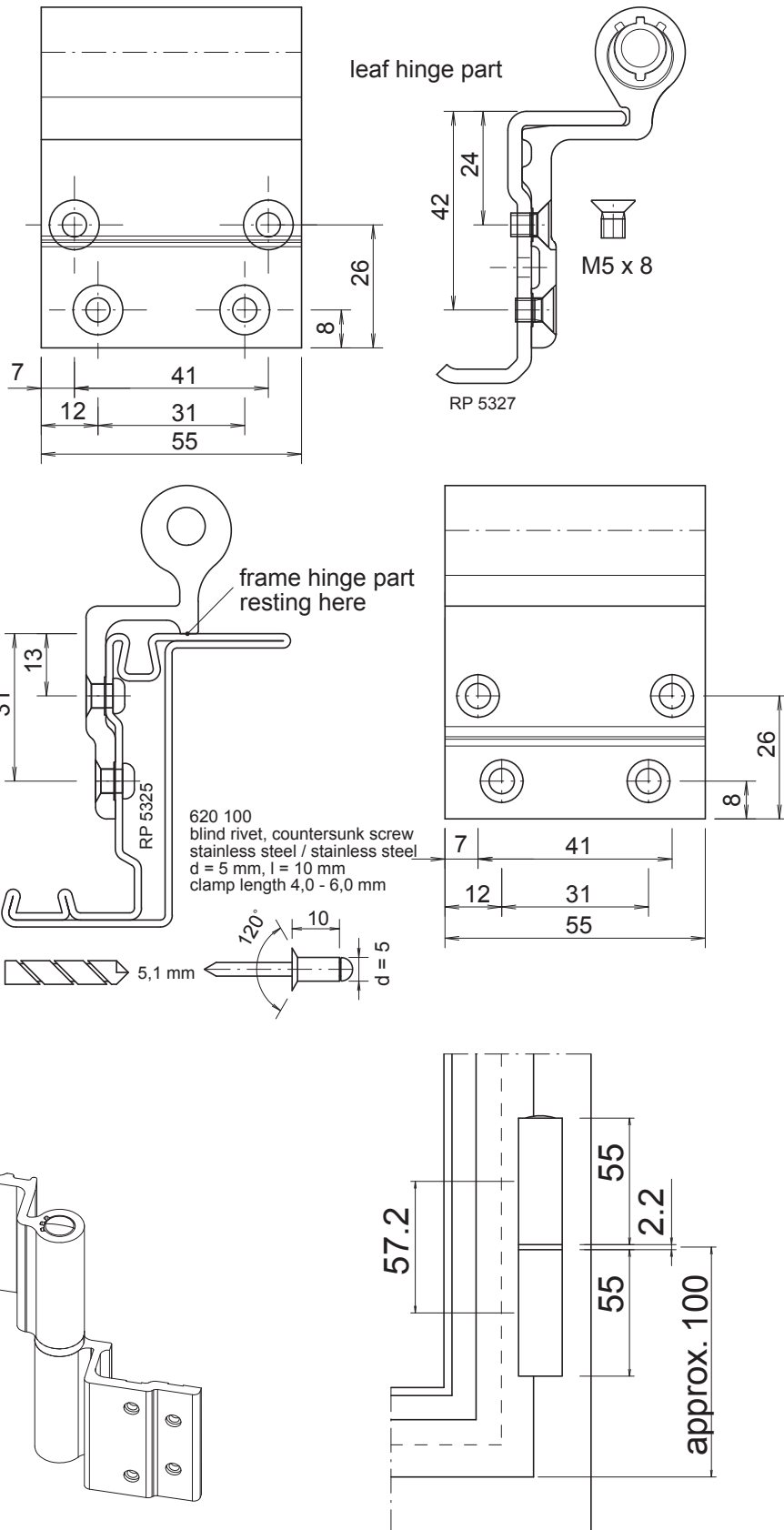


Attention!
Don't coat axis and bush.

May contain modifications and errors.

Screw-on hinge 90 kg
 196 110

Window system
RP-hermetic FINELINE

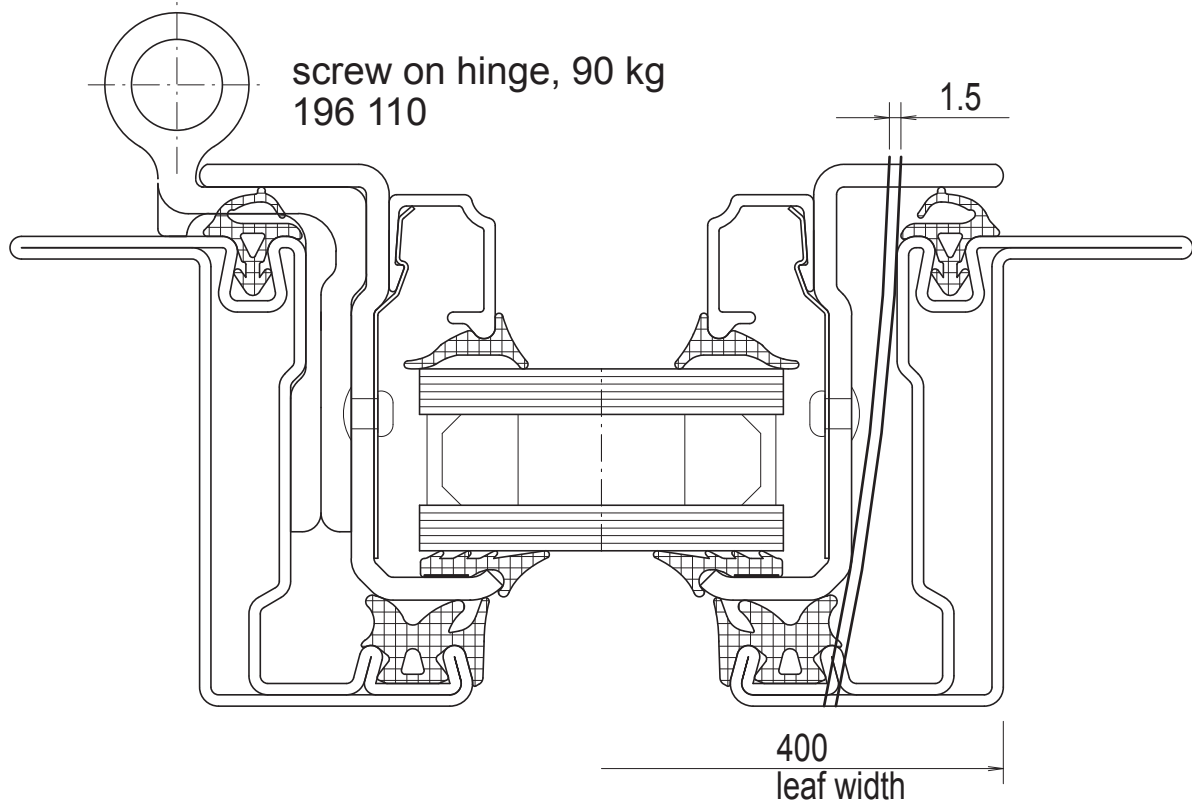
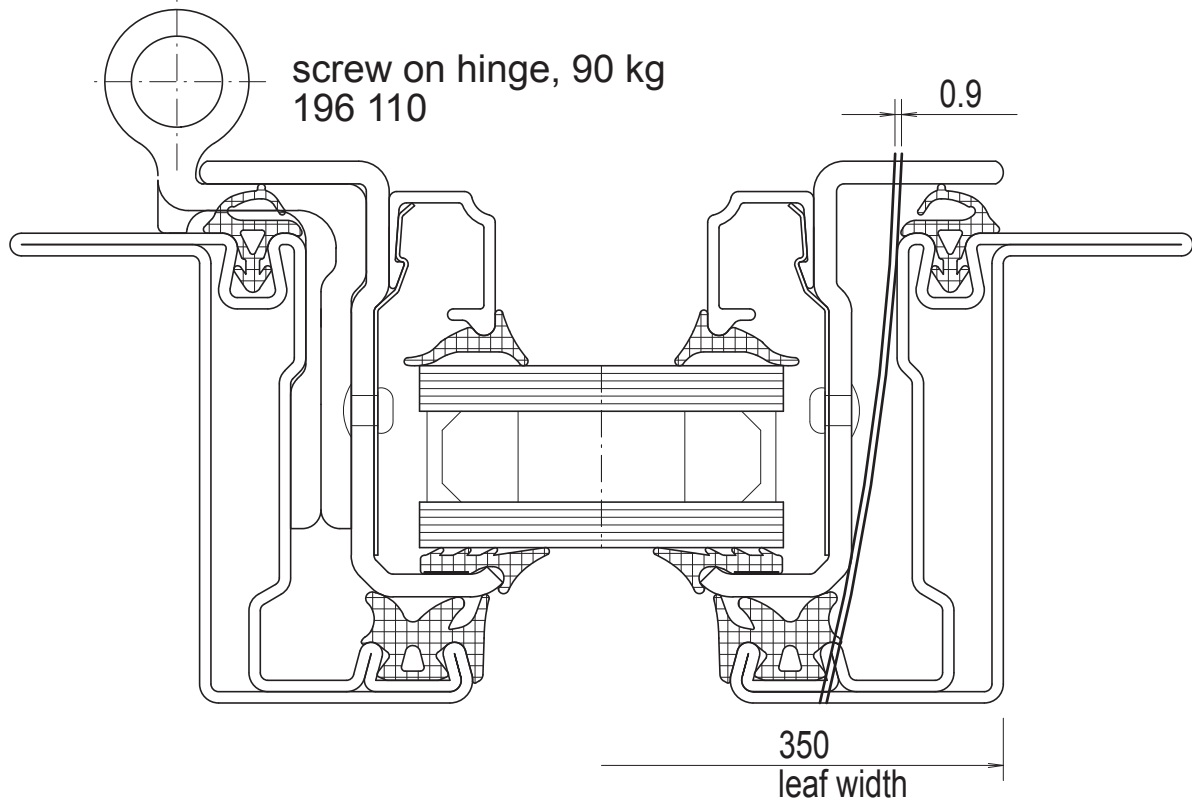


May contain modifications and errors.

Screw-on hinge 90 kg
196 110

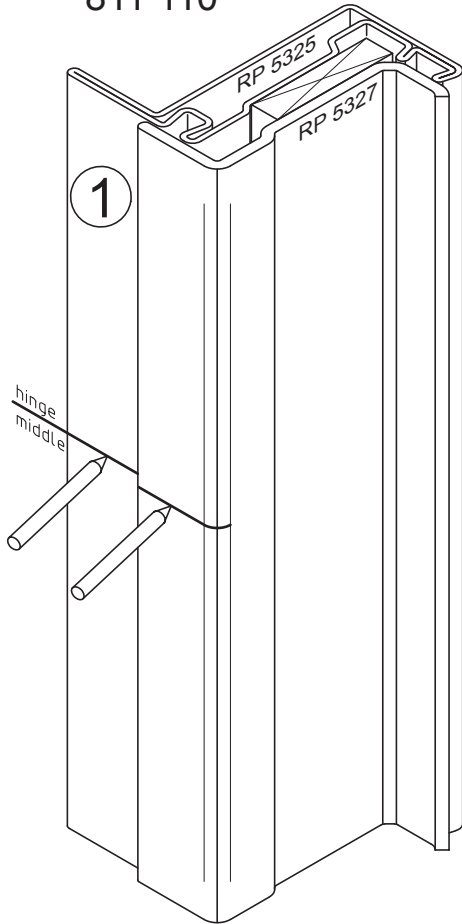
Window system
RP-hermetic FINELINE

minimum leaf width / aperture radius

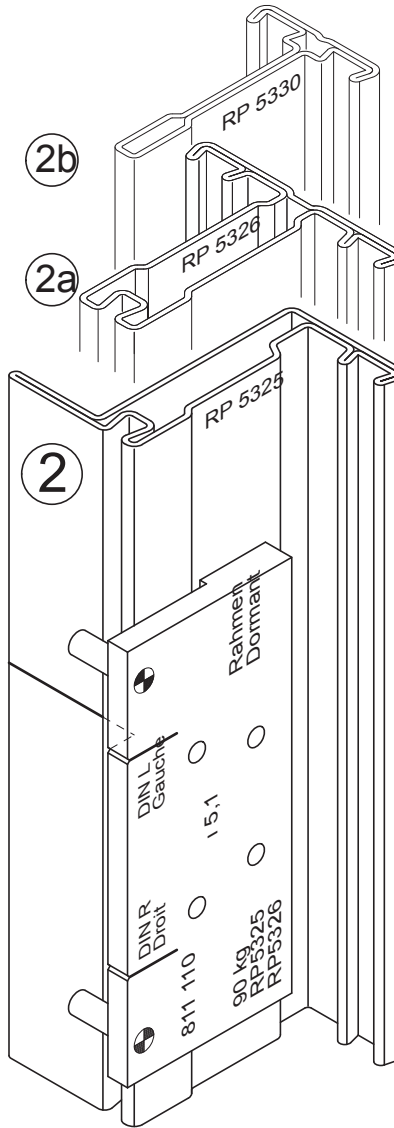


May contain modifications and errors.

Screw-on hinge 90 kg
drill jig
811 110

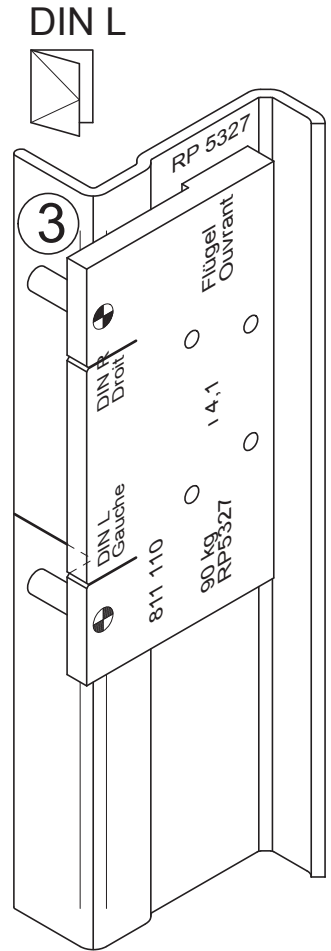


Lay down the leaf central into the frame (8 mm block for adjustment) mark the "hinge-middle" on the leaf and the frame profile, take the leaf out of the frame.

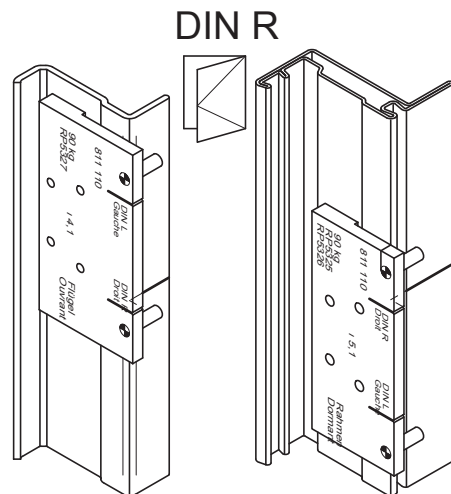
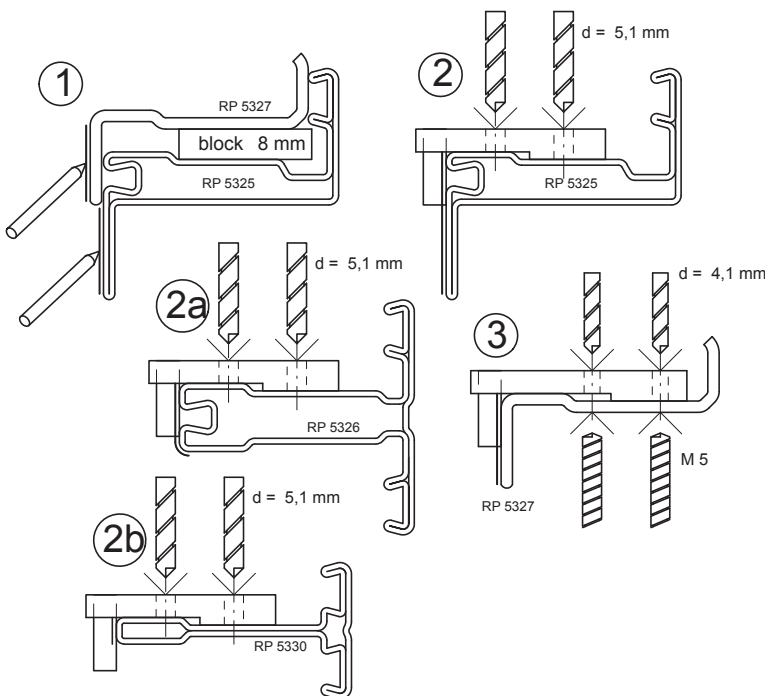


Opening direction "DIN L": put the drill jig "frame" with the marked line "DIN L" against the marking "hinge middle" into the rabbet of the frame, drill hole diameter 5,1 mm.

Window system
RP-hermetic FINELINE



Put the drill jig "leaf" with the marked line "DIN L" against the marking "hinge middle" into the rabbet of the leaf, drill hole diameter 4,1 mm, chase a screw thread M5 afterwards.



use drill jig with "DIN R" for opening direction "DIN R".

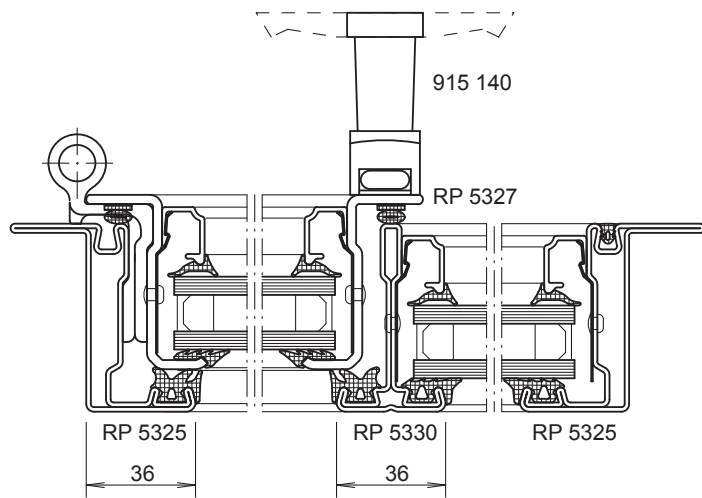
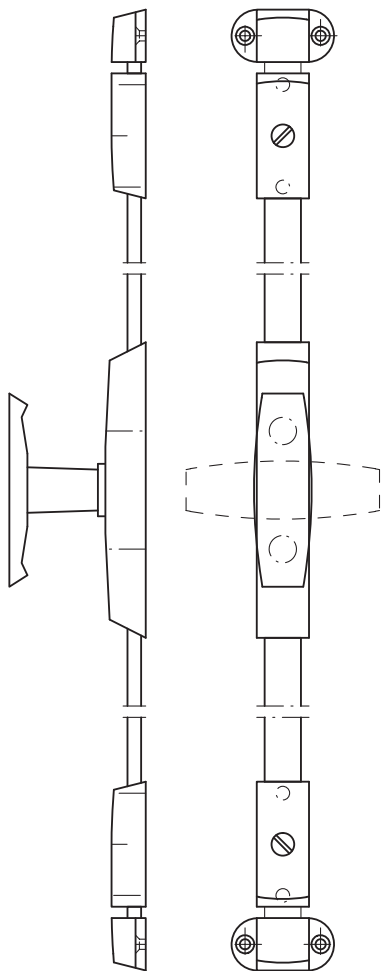
May contain modifications and errors.

Espagnolette classic
 915 140

Window system
RP-hermetic FINELINE

leaf RP 5327 and sash bar RP 5330 (36 mm)

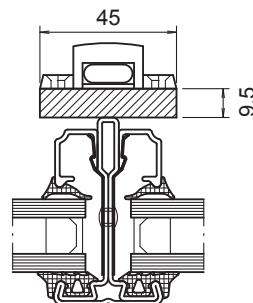
esagnolette classic
 915 140



rebate sealing, internal,
 self-adhesive
 301 170



distance piece for frame
 -on site-

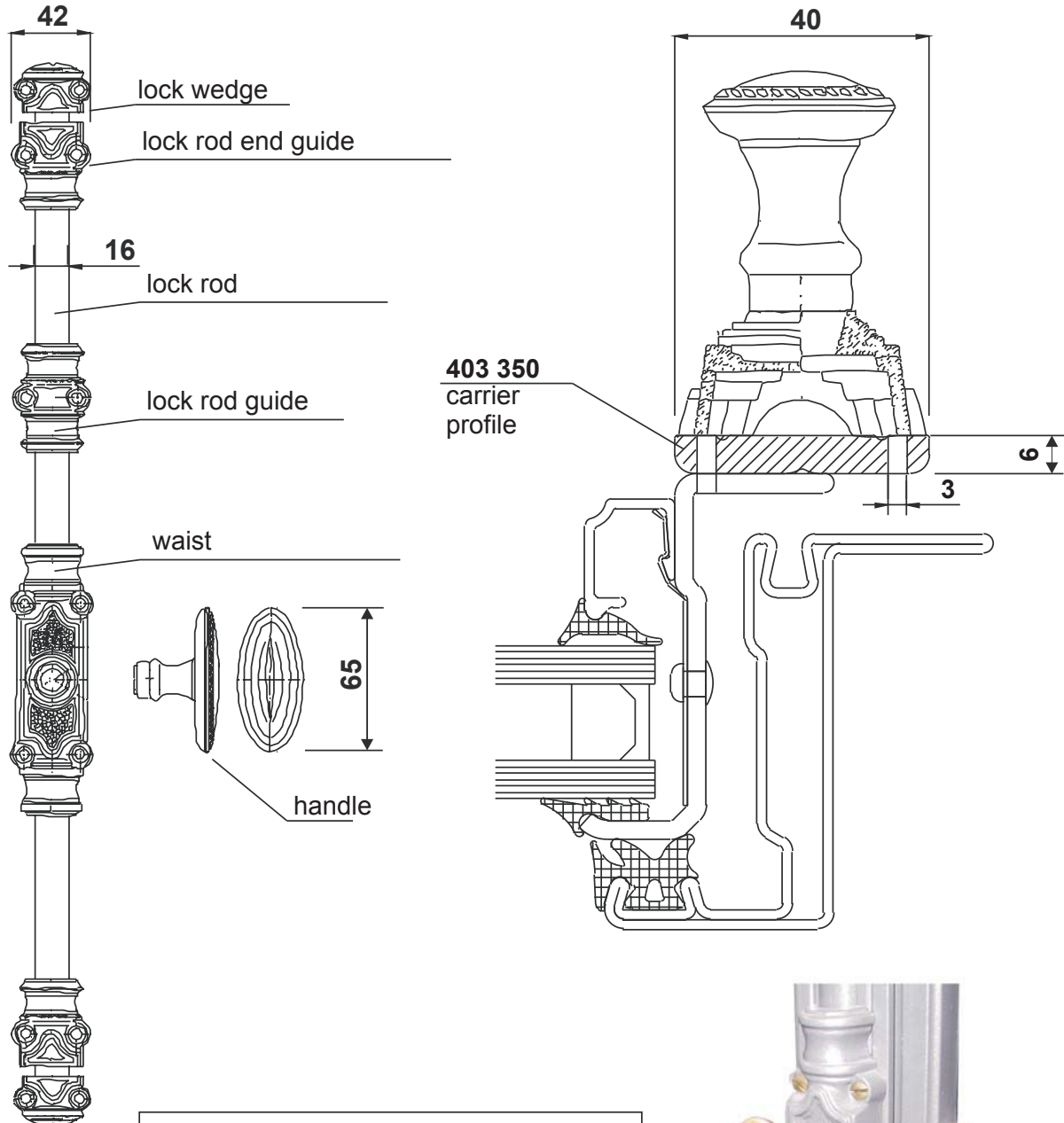


fitting and seal on inquiry

May contain modifications and errors.

Espagnolette nostalgia
193 360

Window system
RP-hermetic FINELINE



- 193 360 espagnolette**
 2 x lock wedge
 2 x lock rod end guide
 2 x lock rod guide
 1 x waist with handle
 2 x lock rod 1350 mm

403 350 carrier profile, alu, 6000 mm



May contain modifications and errors.

METALFORM

MASTERS OF METAL

UNITED KINGDOM

METALFORM

NORWAYMETAL LTD

53 Chelsea Manor Street

London, SW3 5RZ

SALES@METALFORM.UK

+44 20 81298814

GERMANY

METALFORM GMBH

Carl-Zeiss-Ring 15A

85737 Ismaning

SALES@METALFORMGROUP.DE

+49 17663630406

NORWAY

METALFORM AS

Brochmannsveien 2

1950 Rømskog

SALG@METALFORM.NO

+47 401 62 446

METALFORMGROUP

SALES@METALFORMGROUP.COM